

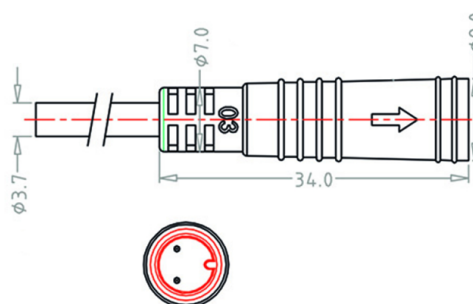
# Product data sheet

## Higo - Signal - Mini B

### Mini B Female cable connector

Z209BM P 00 AW 1000

<https://www.higoconnector.com/en/e-bike-connector/z209bmp00aw1000>



## Specifications

### General Characteristics

Number of contacts	2
Connector shape	Plug
Gender	Female
Color	Red
Upper temperature	80 °C
Lower temperature	-25 °C
Locking	Push-on (no locking)
IP Protection	IP66
Mating cycles	200 Mating times
Connector diameter	9 mm
Fitting length	62 mm
Cable Length	1000 mm
Cable diameter	2.4 mm
Wire section	0.14 mm <sup>2</sup>
Remark	Other cable length/type on request

# Product data sheet

## Higo - Signal - Mini B

### Mini B Female cable connector

#### Electrical Parameters

<b>Rated current</b>	2 A
<b>Rated voltage</b>	48 V AC / 60 V DC
<b>Max. insulation resistance</b>	$\geq 20 \text{ M}\Omega$
<b>Max. contact resistance</b>	$\leq 10 \text{ M}\Omega$

#### Material

<b>Material jacket</b>	TPU
<b>Insulation wire</b>	Teflon
<b>Material of contact</b>	Copper Alloy
<b>Contact plating</b>	Gold over Nickel