

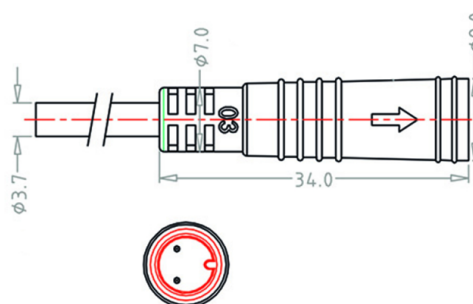
# Product data sheet

## Higo - Signal - Mini B

### Mini B Female cable connector

Z209BM P 00 A0 1000

<https://www.higoconnector.com/en/e-bike-connector/z209bmp00a01000>



## Specifications

### General Characteristics

|                       |                                    |
|-----------------------|------------------------------------|
| Number of contacts    | 2                                  |
| Gender                | Female                             |
| Color                 | Red                                |
| Upper temperature     | 80 °C                              |
| Lower temperature     | -25 °C                             |
| Locking               | Push-on (no locking)               |
| Protection degree     | IP66                               |
| Mating cycles (times) | 200 Mating times                   |
| Connector diameter    | 9 mm                               |
| Fitting length        | 62 mm                              |
| Cable Length          | 1000 mm                            |
| Cable diameter        | 3.7 mm                             |
| Wire section          | 0.2 mm <sup>2</sup>                |
| Remark                | Other cable length/type on request |

# Product data sheet

## Higo - Signal - Mini B

### Mini B Female cable connector

### Electrical Parameters

|  |                   |
|--|-------------------|
| <b>Rated current</b>                   | 2 A               |
| <b>Rated voltage</b>                   | 48 V AC / 60 V DC |
| <b>Max. insulation resistance (M )</b> | ≥20 MΩ            |
| <b>Max. contact resistance (M )</b>    | ≤10 MΩ            |

### Material

|                            |                  |
|----------------------------|------------------|
| <b>Material jacket</b>     | PVC              |
| <b>Material of contact</b> | Copper Alloy     |
| <b>Contact plating</b>     | Gold over Nickel |