

Product data sheet

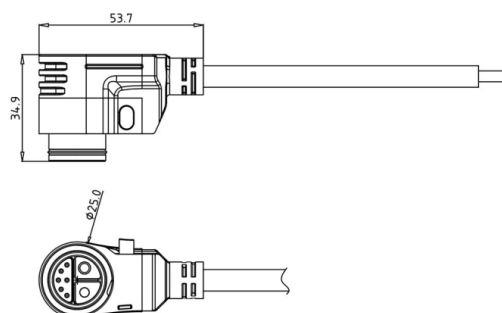
Higo - Battery - S824B

Male cable connector, self-locking, button release

Self-locking, button release

S824BG A 00 FR 1000

<https://www.higoconnector.com/en/e-bike-connector/s824bga00fr1000>



Specifications

General Characteristics

Number of contacts	8 (2+6)
Connector shape	Angled plug
Gender	Male
Color	Black
Upper temperature	80 °C
Lower temperature	-25 °C
Locking	Self-locking, button release
Protection degree	IP67
Mating cycles (times)	3000 Mating times
Connector diameter	22.9 mm
Cable Length	1000 mm
Cable diameter	9 mm
Wire section	2 x 4,0 + 6 x 0,20 mm ²

Product data sheet



Higo - Battery - S824B

Male cable connector, self-locking, button release

Remark

Other cable length/type on request

Product data sheet

Higo - Battery - S824B

Male cable connector, self-locking, button release

Electrical Parameters

Rated current	40 / 2 A
Rated voltage	48 V AC / 60 V DC
Max. insulation resistance (M)	≥20 MΩ
Max. contact resistance (M)	≤10 MΩ

Material

Material jacket	FEP
Insulation wire	PVC
Material of contact	Brass
Contact plating	Gold over Nickel