

Product data sheet

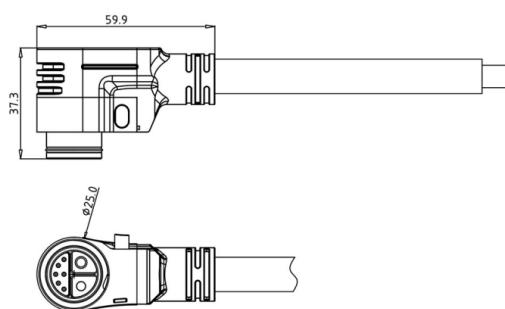
Higo - Battery - S824A

Male cable connector

Self-locking, button release

S824AG A 00 FP 1000

<https://www.higoconnector.com/en/e-bike-connector/s824aga00fp1000>



Specifications

General Characteristics

Number of contacts	8 (2+6)
Connector shape	Angled plug
Gender	Male
Color	Black
Upper temperature	80 °C
Lower temperature	-25 °C
Locking	Self-locking, button release
IP Protection	IP67
Mating cycles	3000 Mating times
Connector diameter	25 mm
Cable Length	1000 mm
Cable diameter	13,6 mm
Wire section	2 x 10,0 + 6 x 0,20 mm ²

Product data sheet

Higo - Battery - S824A

Male cable connector



Remark

Other cable length/type on request

Product data sheet

Higo - Battery - S824A

Male cable connector

Electrical Parameters

Rated current	70 / 2 A
Rated voltage	48 V AC / 60 V DC
Max. insulation resistance	$\geq 20 \text{ M}\Omega$
Max. contact resistance	$\leq 10 \text{ M}\Omega$

Material

Material jacket	PVC
Insulation wire	PVC
Material of contact	Brass
Contact plating	Gold over Nickel