

# Product data sheet

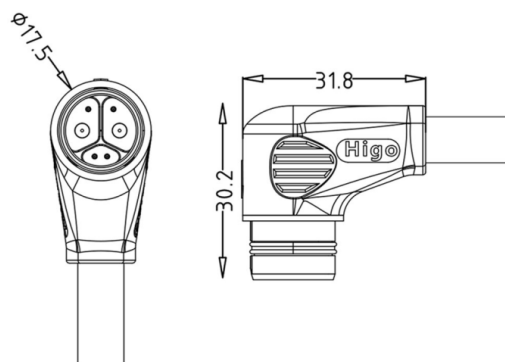
## Higo - Battery - F618A

### Male angled plug connector

## Push-on flexible

F618AG A 00 GN 1000

<https://www.higoconnector.com/en/e-bike-connector/f618aga00gn1000>



## Specifications

### General Characteristics

<b>Number of contacts</b>	6 (2+4)
<b>Connector shape</b>	Angled plug
<b>Gender</b>	Male
<b>Color</b>	Black
<b>Upper temperature</b>	80 °C
<b>Lower temperature</b>	-25 °C
<b>Locking</b>	Push-on flexible
<b>Protection degree</b>	IP67
<b>Mating cycles (times)</b>	3000 Mating times
<b>Connector diameter</b>	18 mm
<b>Fitting length</b>	20 mm
<b>Cable Length</b>	1000 mm
<b>Cable diameter</b>	8 mm

# Product data sheet

## Higo - Battery - F618A

### Male angled plug connector

<b>Wire section</b>	2 x 3,3 + 4 x 0,2 mm <sup>2</sup>
<b>Remark</b>	Other cable length/type on request

# Product data sheet

## Higo - Battery - F618A

### Male angled plug connector

#### Electrical Parameters

<b>Rated current</b>	30 / 2 A
<b>Rated voltage</b>	48 V AC / 60 V DC
<b>Max. insulation resistance (M )</b>	≥20 MΩ
<b>Max. contact resistance (M )</b>	≤10 MΩ

#### Material

<b>Material jacket</b>	PVC
<b>Insulation wire</b>	FEP
<b>Material of contact</b>	Copper alloy
<b>Contact plating</b>	Silver plated