



10 years

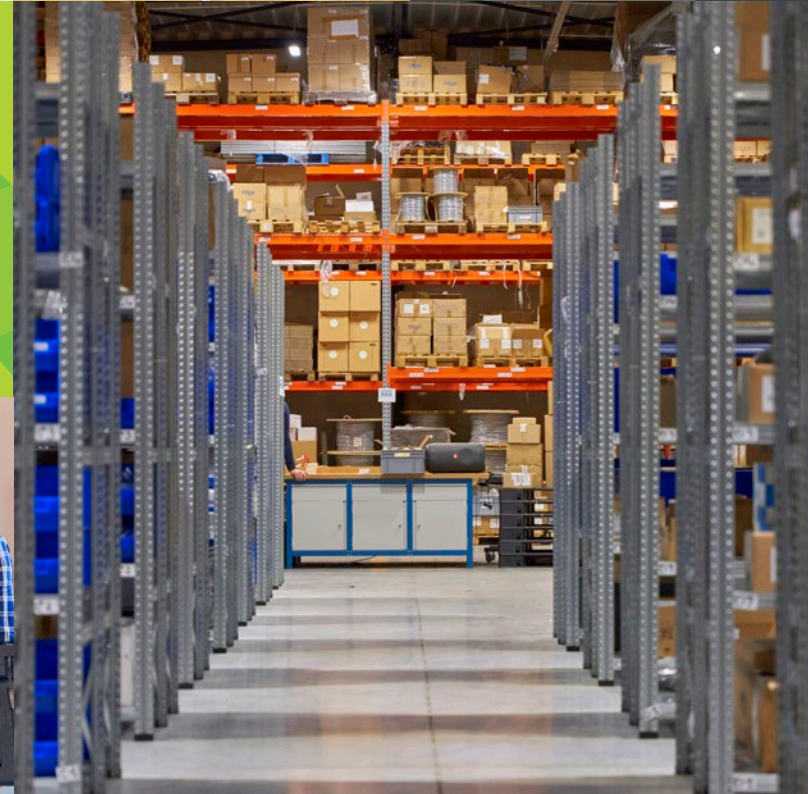
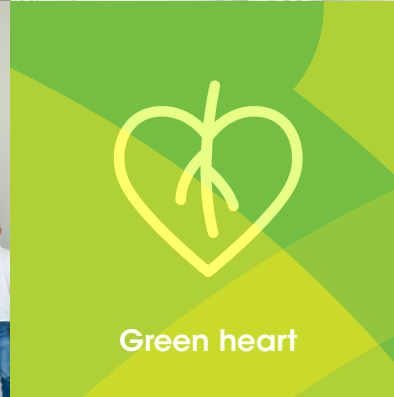
10 years of making
E-mobility drive together

Higo
REPRESENTED BY **A&C SOLUTIONS**

EDITION 2024/2025
E-MOBILITY
CONNECTORS

OUR MISSION

Relieving manufacturers by advising, customising and stocking the right Higo e-bike connector solution.



OUR BACKGROUND

SET-UP OF LTD

Maarten Voermans steps in. Together they set up an Ltd company.



08

Minderhout, BE

E-BIKE INDUSTRY

A&C Solutions becomes exclusive distributor of **Higo** connectors in Europe.



11

Turnhout, BE

NEW PREMISES

Strong growth requires a move to an office & warehouse building of 1000m².



16

SUSTAINABLE BUSINESS

Start of sustainability plans with the certification of ISO 14001 and the membership of digital supply chain platform Sustainabill.



17

Turnhout, BE

EXPANSION

Physical expansion on site to meet the growing need for stock management services. Extra offices & warehouse of 750m².



22



Launch of our new website



START A&C SOLUTIONS

Franky Vanlerberghe starts as an **A**ssembly & **C**onconnector specialist with an industrial focus.

ASML

Preferred supplier



ISO 9001

A&C Solutions is ISO 9001 certified.



LOCAL MARKET DEVELOPMENT

Expansion of sales team in Germany, France, Spain & Portugal.



SDG GOALS

Developing an action plan based on the 17 SDG goals of the United Nations.



DIGITAL FIRST

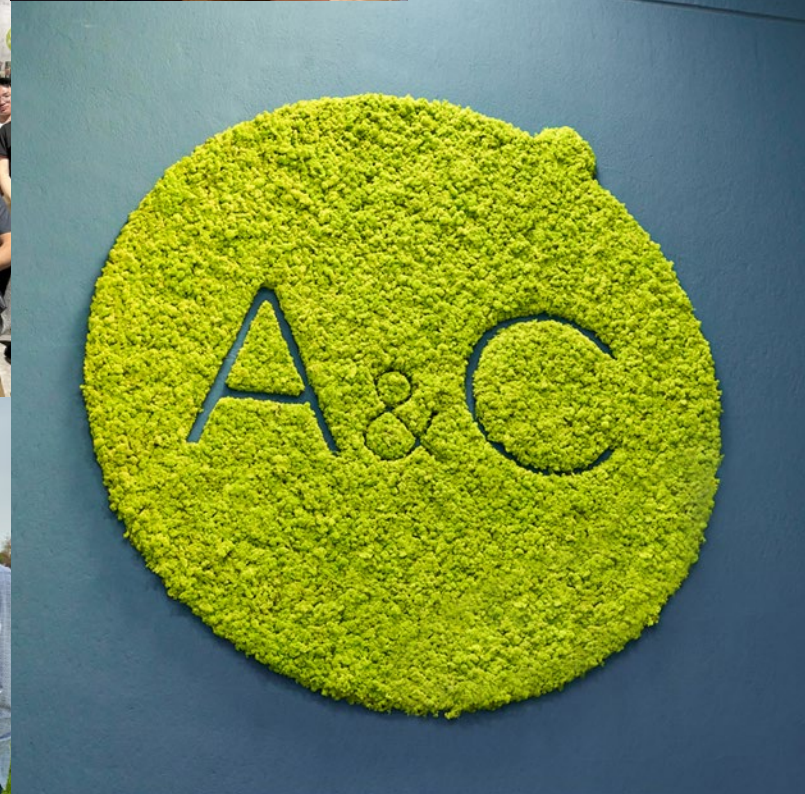
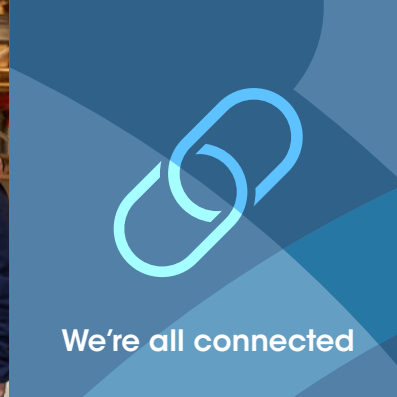
Investment in the further digitalisation and automation of company processes and future integration of webshop and customer portal.

OUR VISION

We want to be the European online & offline market leader in E-bike connectors bringing to life every customer's great e-mobility project by a customer centric and sustainable approach with passion for technology and a clear focus on JIT delivery and operational excellence.



Excel in customer experience



Keen to move forward



OUR COMMITMENT TO A MORE SUSTAINABLE WORLD



EMS in place to enhance our environmental performance



Team efforts to create a sustainable organisation and site by:

- creating awareness among our team & partners
- introducing energy saving measures
- stimulating waste reduction and reusing materials
- transitioning to sustainable alternatives where possible



CSR plan in place to achieve the UN's SDG goals



Bringing transparency to our supply chain by partnering up with Sustainabil

A great e-bike connector experience starts with a great product



INNOVATOR

Higo is a pioneer in e-bike connector manufacturing. It has a strong R&D focus with more than 60 patented designs. Higo is continuously investing in emerging technologies to develop ever smaller e-bike connector designs.



FULL SERVICE MANUFACTURER

From 50.000m² of production plants, Higo fully manufactures and assembles e-bike cabling projects in-house. This goes from the production of cables, tooling development, the single-handedly turning of contacts to the assembly of connectors or switches.



FLEXIBILITY IN CUSTOMISED CONNECTORS

Higo is able to fully customise connectors, cable harnesses and splitters according to the requirements of each e-bike design.



QUALITY LEADS THE WAY

Our ISO 9001 organisations are based on predefined working procedures, incoming and outgoing checks and ongoing self-assessment. Higo also works with an in-house testing laboratory. Besides that, Higo is CQC certified and has UL/CSA approvals.

YOUR ALL-IN-ONE E-BIKE CONNECTOR PARTNER

A great product complemented with excellent services



LOCAL SPECIALISTS

A&C Solutions has a clear focus on e-bike connectors and +30 years of in-house connector experience. We know the market and understand your business. Our team is always nearby to discuss your project and support you with technical advice in your language.



PROJECT MANAGEMENT

As complementary partners, we manage your customised connector, cable harness or splitter project from design to delivery for any type of e-mobility design.



EUROPEAN STOCK MANAGEMENT

A&C Solutions offers a large range of standard Higo signal, battery and motor connectors directly available from stock. From our 1000m² site centrally in Europe we support you with just-in-time stock management services and label options on demand.



PROFESSIONAL SUPPORT

Our customers are our highest good. We are always available during your business hours with quick & professional feedback. When things don't turn out the way they were planned, we also ensure a firm and adequate complaint handling.





OUR HOME BASE
LOCATED IN TURNHOUT WITH A 1000M² WAREHOUSE



CLOSE TO YOU

WITH PRODUCTS & PEOPLE



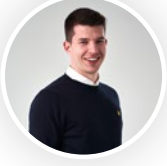
JAN VAN DIJCK
Sales Manager



KRISTOF VAN WETERING
Product Manager



JANNES CHRISTIAENSEN
Key Account Manager



LIAM HAESEN
Inside Sales Specialist



FLORIS KERSTEN
Inside Sales Specialist



JONI IVENS

HQ. BELGIUM



JANNES CHRISTIAENSEN



MATHYS HUVELIN



NILS HÖLSCHER



IGNACIO HIGES



SOME OF OUR CUSTOMERS



VUF BIKES

VUF bikes is a French manufacturer of e-trikes for last mile delivery purposes. All VUFs e-trikes are designed and manufactured in France.

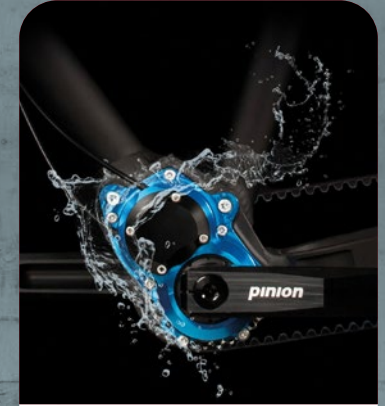


SUPERNOVA

Supernova offers bike lighting systems with the best LED technology.

PORSCHE EBIKE PERFORMANCE

Porsche is a pioneer in the development of lightweight and compact drive systems.



PINION

Pinion specialises in the design and manufacture of bicycle drivetrain systems, particularly focusing on internally geared transmissions for E-bikes.

RIESE & MÜLLER

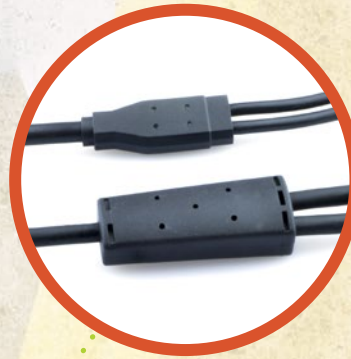
Manufacturer of e-bikes, cargo bikes and folding bikes of the highest quality with the most innovative technology.



HIGO CONNECTORS FOR THE COMPLETE E-BIKE SYSTEM



SIGNAL
PAGE 20 - 33



SPLITTERS
PAGE 18 - 19



BATTERY
PAGE 34 - 55



CABLE HARNESSES
PAGE 16 - 17



CUSTOMISED CONNECTORS
PAGE 14 - 15



MOTOR
PAGE 56 - 67





'Standard connectors just don't fit the widespread market anymore. Many of the new e-bike designs we come across require more complicated, tailor made connections. We want to be there with the right solution within a short lead time. That's why Higo invested heavily in the further automation of its production lines and accommodated its R&D and sales department in a new location in Suzhou that is designed to quickly respond to prototype requests and perform adequate testing. In the end, we are convinced that it is the power of customisation that makes the difference.'

Mathys Huvelin, Business Development Manager France & Italy



CUSTOMISED SOLUTIONS



CUSTOMISED CONNECTORS

14 - 15



CABLE HARNESSES

16 - 17



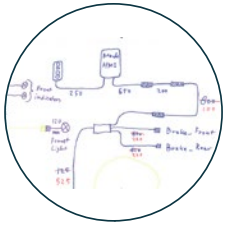
SPLITTERS

18 - 19

WE MANAGE YOUR PROJECT FROM DESIGN TO DELIVERY

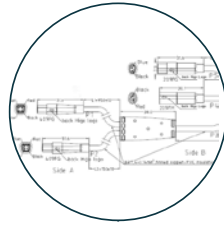
INITIAL REQUEST

Every project starts with a drawing or with technical specifications of the cable harness or the customised connector you require.



OUR CONCEPT DRAWING

When all aspects of the project have been validated, our team creates the drawing with all electrical specifications and materials used.



PRODUCTION & QUALITY CHECK

When samples have been approved, production will start-up and required tests are performed in Higo's in-house laboratory.



LOCAL SUPPORT

During all stages of the project, our specialists are always nearby to support you with technical advice, often even in your own language.



ANALYSING YOUR REQUEST

Based on your drawing or technical specifications, our specialists analyse your request, check the feasibility and set-up of your requirements.



PROTOTYPE SAMPLES & TESTING

Higo will first start manufacturing a prototype and samples for you to test if all requirements of your application are met.



EUROPEAN STOCK MANAGEMENT

A&C Solutions ensures that the production of your e-mobility design continues to run smoothly with quick & timely deliveries of your final product.



PROJECT GO LIVE

When a project comes to live, we are just as proud as you are. Watch here an example of such a project:





CUSTOMISED CONNECTORS



ANGLED BATTERY CONNECTOR FOR PCB



ANGLED MOTOR CONNECTOR FOR PCB



CONNECTOR FOR CHARGING STATION



MOTOR CONNECTOR

CUSTOMISED CONNECTORS



MINI F PANEL MOUNT FOR PCB



PCB ASSEMBLY FOR POWER & SIGNAL



HIGH POWER BATTERY CONNECTOR WITH LOCKING LEVER



ANGLED TERMINALS FOR PCB MOUNTING



CUSTOMISED TERMINAL BLOCK



CUSTOMISED INTERFACE WITH 180° MATING



CABLE HARNESSES



OVERMOULDED HEADER



OVERMOULDED SWITCHES



FULL CABLE HARNESS



SPLITTER WITH INTEGRATED BUTTON AND LED LIGHT

CABLE HARNESSSES



LARGE SPLITTER FOR POWER DISTRIBUTION



GROMMET WITH CLIP



SMALL SPLITTER FOR SIGNAL DISTRIBUTION



CABLE MARKING AND LASER ENGRAVING



SPLITTER WITH INTEGRATED CONNECTOR



SPLITTER WITH 2 INTEGRATED PANEL MOUNTS

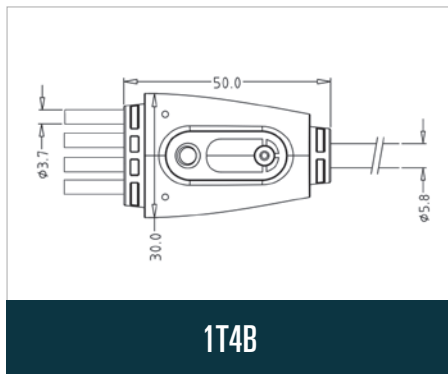
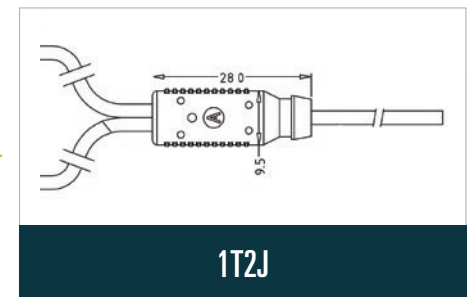
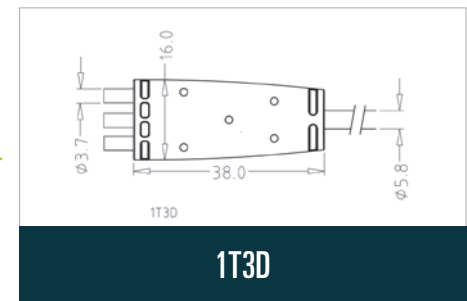
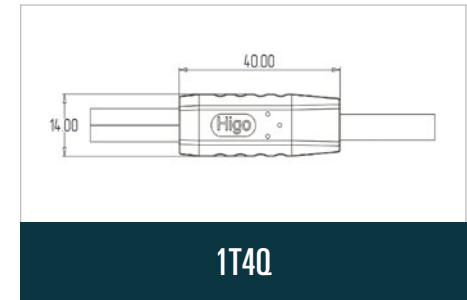
SPLITTERS



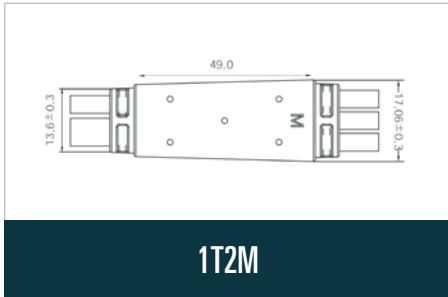
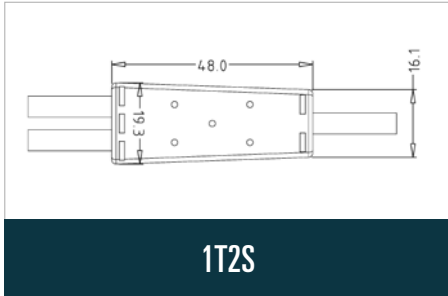
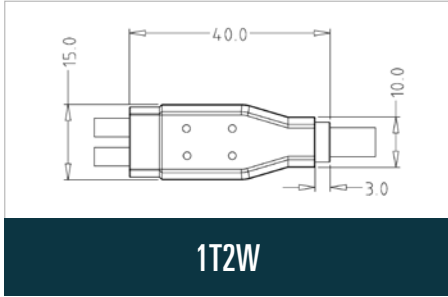
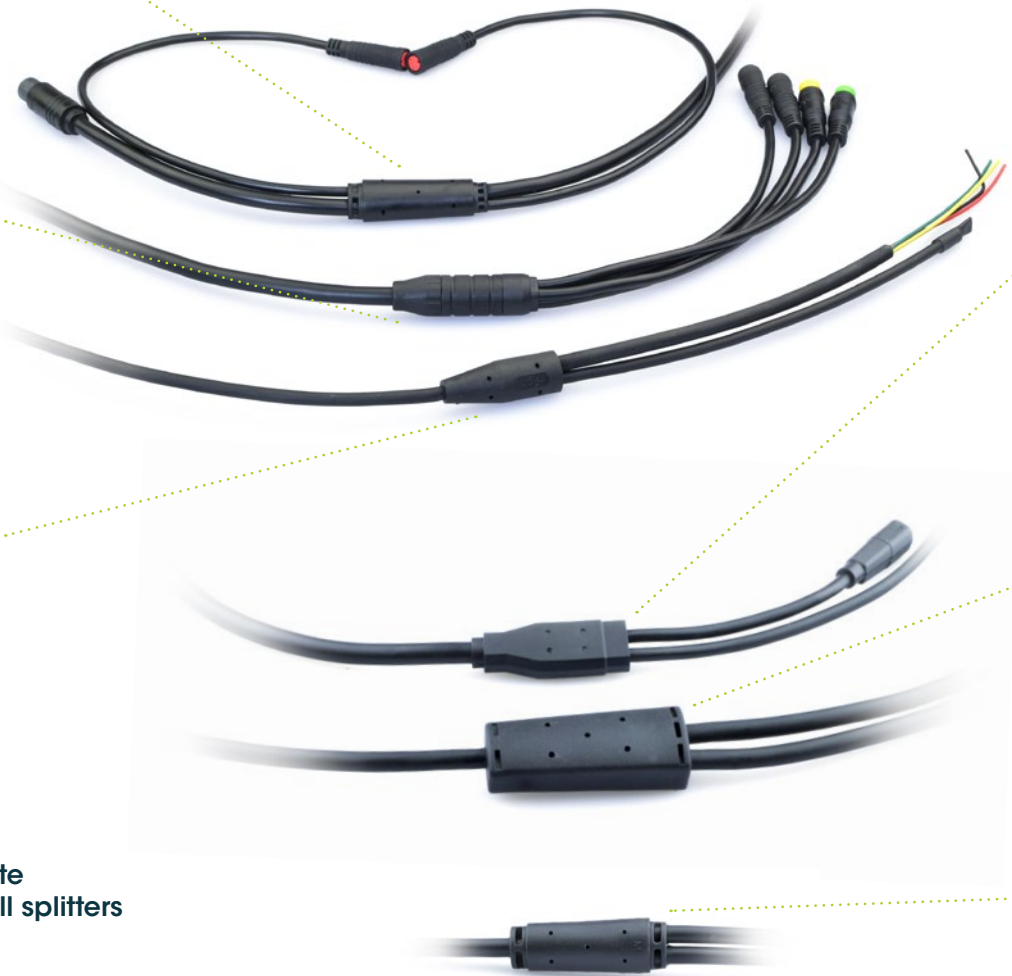
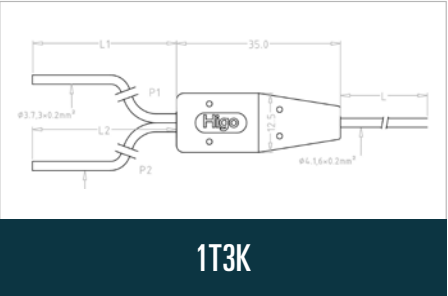
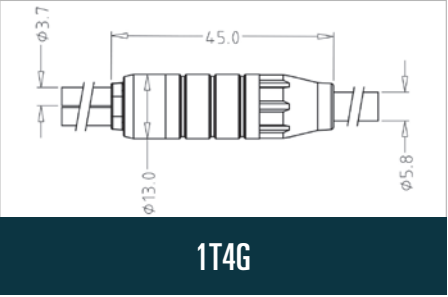
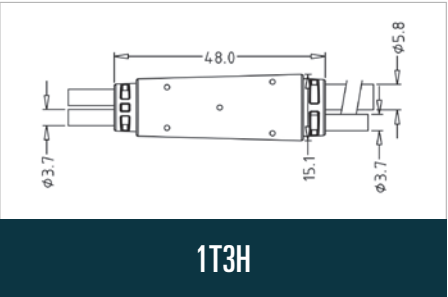
A&C Solutions offers you endless possibilities to create your customised splitter solution. Based on your wiring diagram, you are free to determine:

- the length of each cable on both sides that your application requires
- how many and which Higo and/or other connector(s) you need on both sides
- and which splitter design you prefer or which dimensions (LxWxH) it should have

Besides that it's also up to you to decide the cable type (PVC or TPU) and the level of finishing (crimped, stripped or with a different contact). These splitter designs are already available in smaller quantities.



SPLITTERS



For a complete overview of all splitters





'We clearly see that more and more customers try to further enhance the e-bike experience by adding extra features like tracking systems, GPS, electrical locks, heat grips and even heated seats. So along with an even more compact design, there is a need for extra connections and a higher data transmission. This trend keeps our R&D colleagues at Higo constantly focussed on creating smaller designs with an increasing number of poles so that in the end all connectors can still be nicely hidden away in e-bike frames.'

Joni Ivens, Account Manager



SIGNAL CONNECTORS



SIGNAL MINI B

22 - 23



SIGNAL MINI F

24 - 25



SIGNAL MICRO Q/X/M/T/A/B

26 - 31



SIGNAL MINI C

32



SIGNAL MAIN PLUG

33



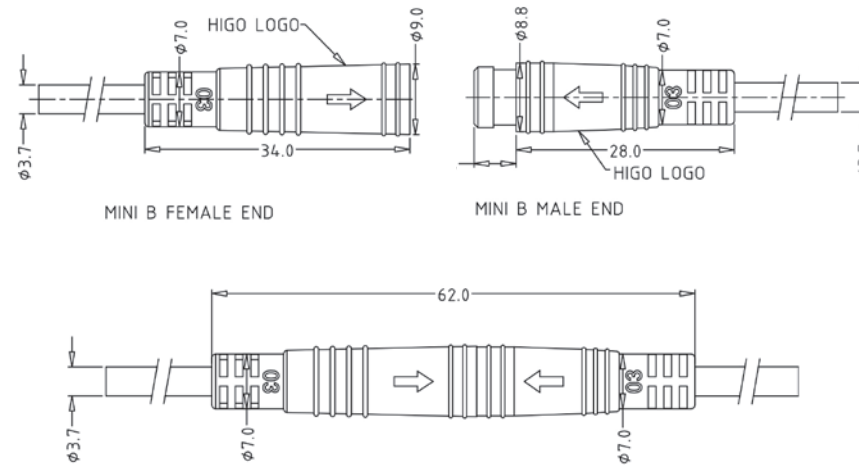
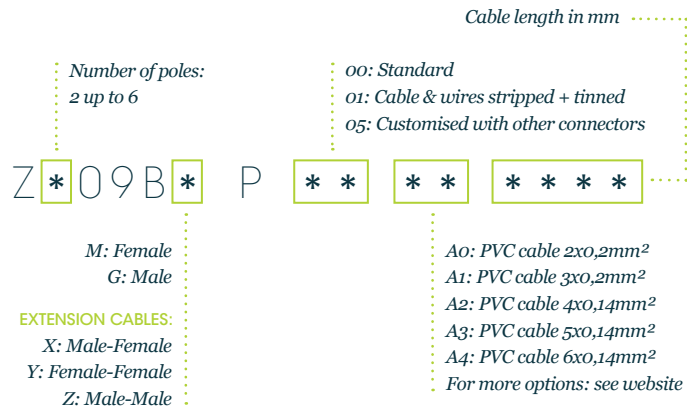
SCAN ME

For a complete overview of signal connectors

SIGNAL CONNECTORS MINI B PLUG



ARTICLE NUMBER BUILD-UP:



CHARACTERISTICS

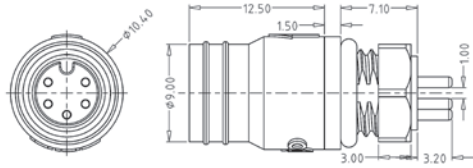
Temperature Range:	-25°C up to +80°C
Rated Voltage:	48V AC / 60V DC
Rated Current:	2A
Contact Resistance:	≤10mΩ
Insulation Resistance:	≥20MΩ
Protection Level:	IP66
Mating Cycles:	200 times
Outside Diameter:	9,0mm
Fitting Length:	62,0mm
Wire Specification:	0,14mm ² / 0,2mm ²



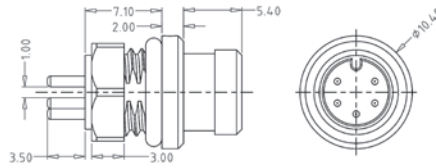
HIGO



SIGNAL CONNECTORS MINI B PANEL MOUNT



FEMALE END



MALE END

ARTICLE NUMBER BUILD-UP:

Number of poles:
2 up to 6

02: With solder cup contacts without wires
03: With solder cup contacts with wires
04: With straight PCB contacts

Z * 09 B * C * * * * * * * *

M: Female
G: Male

oo: No cable

Cable length in mm

CHARACTERISTICS

Temperature Range:	-25°C up to +80°C
Rated Voltage:	48V AC / 60V DC
Rated Current:	2A
Contact Resistance:	≤10mΩ
Insulation Resistance:	≥20MΩ
Protection Level:	IP66
Mating Cycles:	200 times
Outside Diameter:	9,0mm
Fitting Length:	62,0mm
Wire Specification:	0,14mm ² / 0,2mm ²



Cover for male:
ZX09BG

Cover for female:
ZX09BM

CONNECTOR

SIGNAL CONNECTORS MINI F PLUG



ARTICLE NUMBER BUILD-UP:

Number of poles:
2 up to 9

Cable length in mm

oo: Standard
01: Cable & wires stripped + tinned
05: Customised with other connectors

M: Female
G: Male

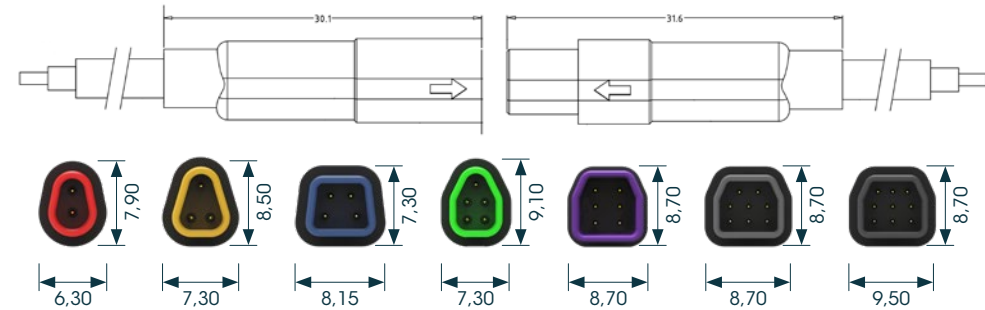
P: Plug
A: Angled Plug

EXTENSION CABLES:
X: Male-Female
Y: Female-Female
Z: Male-Male

Ao: PVC cable 2 x 0,2mm²
A1: PVC cable 3 x 0,2mm²
A2: PVC cable 4 x 0,14mm²
A3: PVC cable 5 x 0,14mm²
A4: PVC cable 6x0,14mm²
DL: PVC cable 8x0,14mm²
DN: PVC cable 9x0,15mm²
For more options: see website

FEMALE PLUG

MALE PLUG

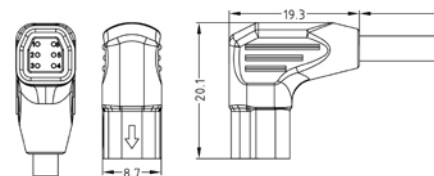


PATENTED

CHARACTERISTICS

Temperature Range:	-25°C up to +80°C
Rated Voltage:	48V AC / 60V DC
Rated Current:	2A
Contact Resistance:	≤10mΩ
Insulation Resistance:	≥20MΩ
Protection Level:	IP66/IP67
Mating Cycles:	200 times
Fitting Length:	55,0mm
Wire Specification:	0,14mm ² / 0,2mm ²

6-pole version



HIGO

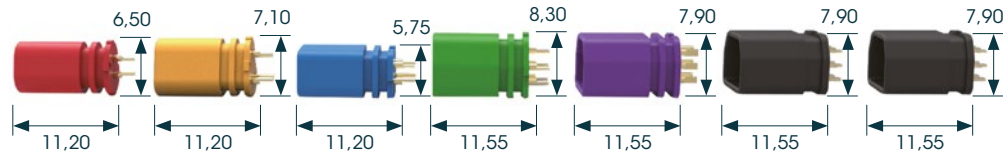


SIGNAL CONNECTORS MINI F PANEL MOUNT

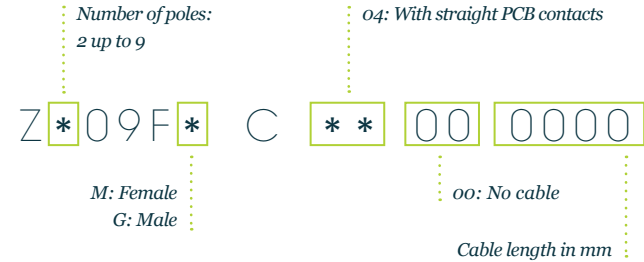


Z409FG:
COVER FOR MALE

Covers for male and female connectors available from 2 to 9 poles



ARTICLE NUMBER BUILD-UP:



Female only available in 2,3,6 and 8 poles
Contact our sales team for a tailor made backshell for your design

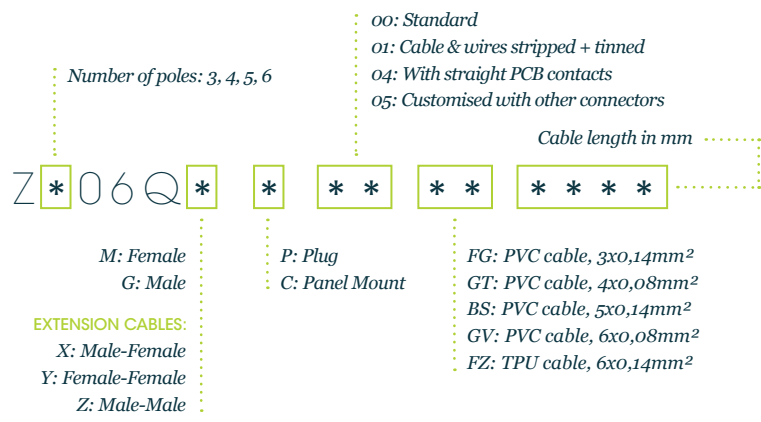
CHARACTERISTICS

Temperature Range:	-25°C up to +80°C
Rated Voltage:	48V AC / 60V DC
Rated Current:	2A
Contact Resistance:	≤10mΩ
Insulation Resistance:	≥20MΩ
Protection Level:	IP66/IP67
Mating Cycles:	200 times

CONNECTOR

SIGNAL CONNECTORS MICRO Q **PLUG & PANEL MOUNT**

ARTICLE NUMBER BUILD-UP:

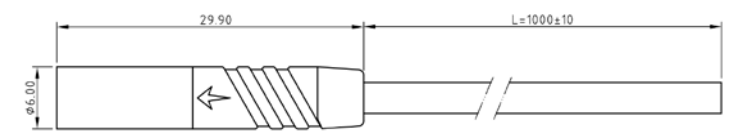


CHARACTERISTICS

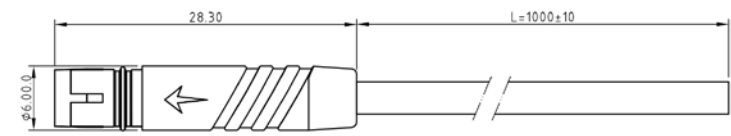
Temperature Range:	-25°C up to +80°C
Rated Voltage:	48V AC / 60V DC
Rated Current:	2A
Contact Resistance:	≤10mΩ
Insulation Resistance:	≥20MΩ
Protection Level:	IP67
Mating Cycles:	50 times
Outside Diameter:	6,0mm
Fitting Length:	50,0mm
Wire Specification:	0,08mm ² / 0,14mm ²



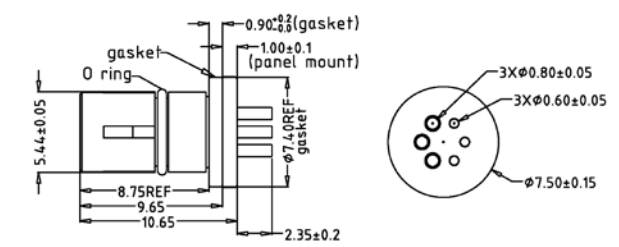
MALE END



FEMALE END



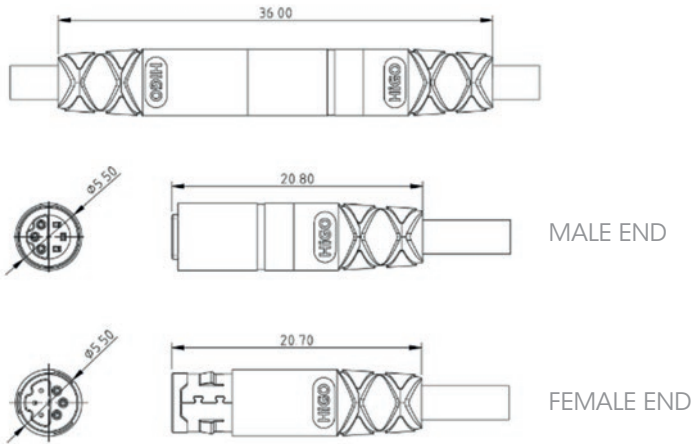
FEMALE PANEL MOUNT



HIGO

NEW

SIGNAL CONNECTORS MICRO X PLUG



ARTICLE NUMBER BUILD-UP:

Number of poles:
2 up to 6

Cable length in mm

00: Standard
01: Cable & wires stripped + tinned
05: Customised with other connectors

Z * 05 X * P * * * * * *

M: Female
G: Male

EXTENSION CABLES:
X: Male-Female
Y: Female-Female
Z: Male-Male

DS: PVC cable, 2x0.14mm²
FG: PVC cable, 3x0.14mm²
GT: PVC cable, 4x0.08mm²
FW: PVC cable, 5x0.08mm²
DY: PVC cable, 6x0.08mm²



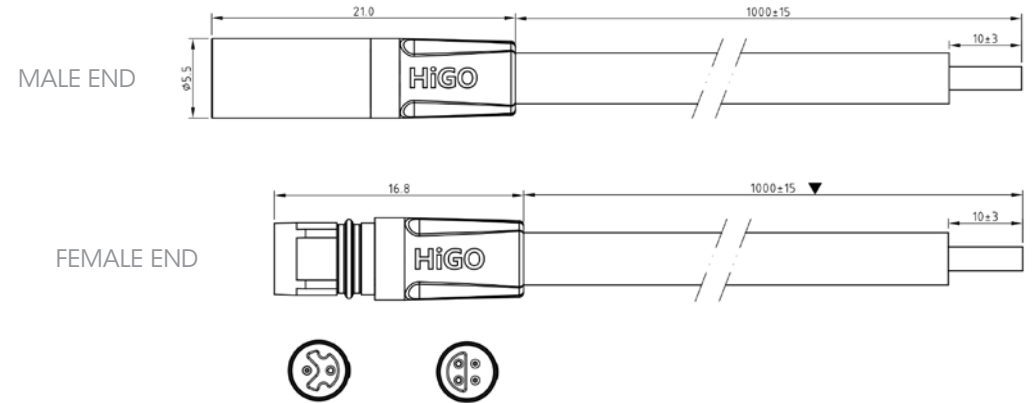
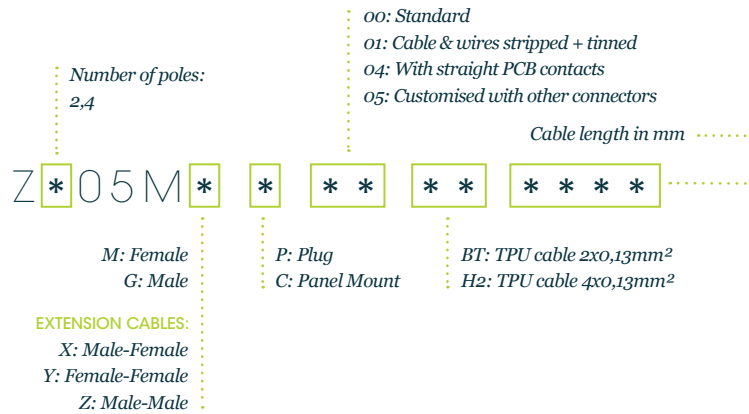
CHARACTERISTICS

Temperature Range:	-25°C up to +80°C
Rated Voltage:	48V AC / 60V DC
Rated Current:	2A
Contact Resistance:	≤10mΩ
Insulation Resistance:	≥20MΩ
Protection Level:	IP67
Mating Cycles:	200 times
Outside Diameter:	5,5mm
Fitting Length:	36,0mm
Wire Specification:	0,08mm ² / 0,14mm ²

CONNECTOR

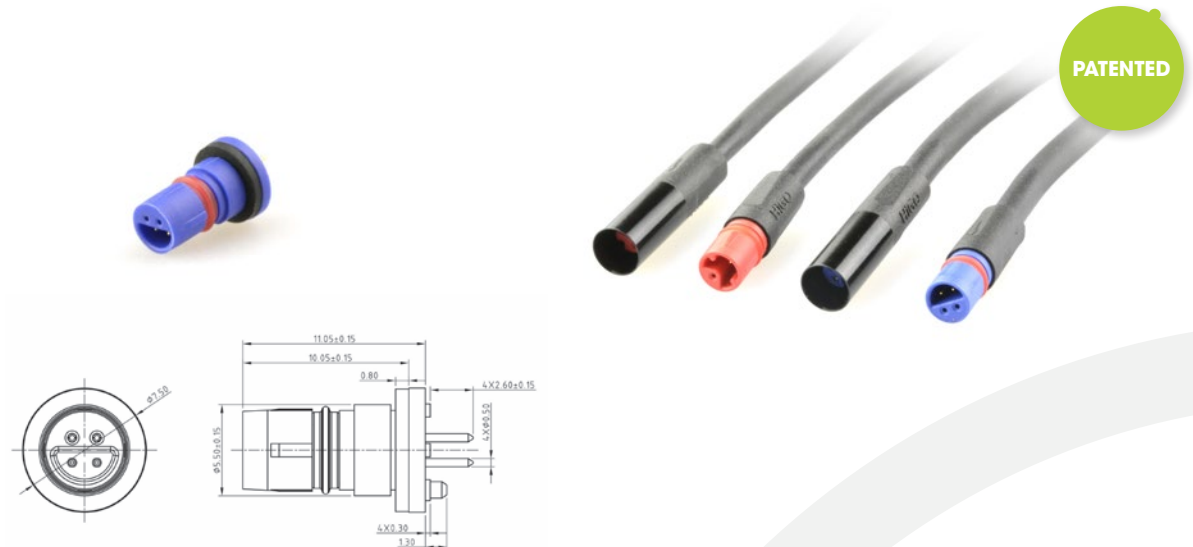
SIGNAL CONNECTORS MICRO M PLUG

ARTICLE NUMBER BUILD-UP:



CHARACTERISTICS

Temperature Range:	-25°C up to +80°C
Rated Voltage:	48V AC / 60V DC
Rated Current:	2A
Contact Resistance:	≤10mΩ
Insulation Resistance:	≥20MΩ
Protection Level:	IP67
Mating Cycles:	50 times
Outside Diameter:	5,5mm
Fitting Length:	30,0mm
Wire Specification:	0,13mm ²



FEMALE PANEL MOUNT

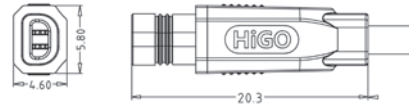
HIGO



SIGNAL CONNECTORS MICRO T PLUG & PANEL MOUNT



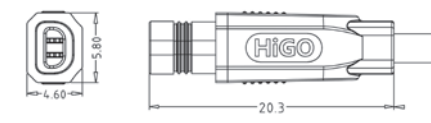
2-POLE MALE END



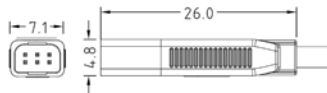
2-POLE FEMALE END



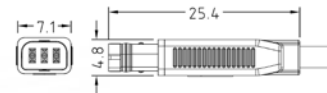
3-POLE MALE END



3-POLE FEMALE END



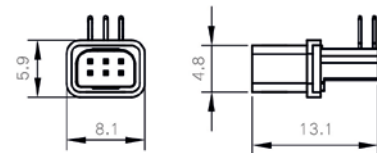
6-POLE MALE END



6-POLE FEMALE END



6-POLE PANEL MOUNT



ARTICLE NUMBER BUILD-UP:

Cable length in mm

Number of poles: 2, 3 and 6

oo: Standard
01: Cable & wires stripped + tinned
05: Customised with other connectors

Z * * * T * P * * * * * * * *

06: 2 poles
07: 3 & 6 poles

M: Female
G: Male

EXTENSION CABLES:
X: Male-Female
Y: Female-Female
Z: Male-Male

DS: PVC cable 2x0,14mm²
D2: PVC cable 3x0,14mm²
DY: PVC cable 6x0,08mm²

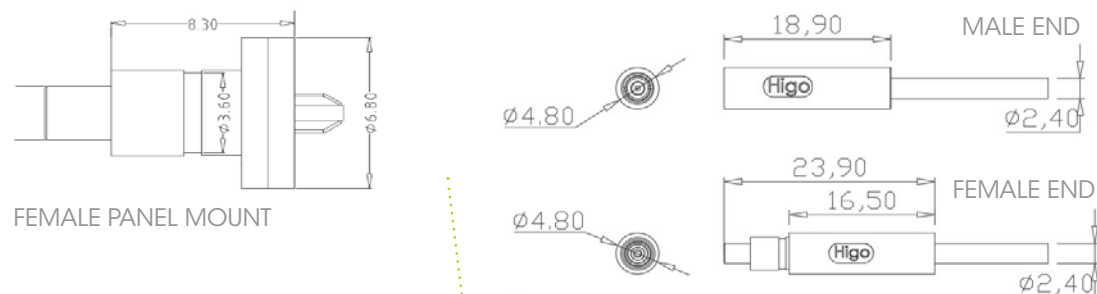
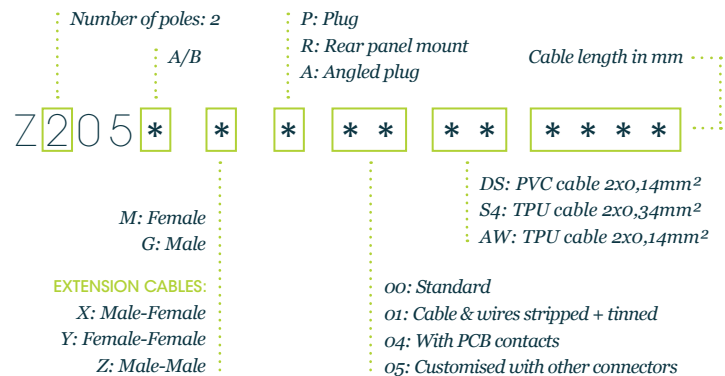
CHARACTERISTICS

Temperature Range:	-25°C up to +80°C
Rated Voltage:	48V AC / 60V DC
Rated Current:	2A
Contact Resistance:	≤10mΩ
Insulation Resistance:	≥20MΩ
Protection Level:	IP67
Mating Cycles:	200 times
Outside Diameter:	2 poles: 5,8mm, 3&6 poles: 7mm
Fitting Length:	2&3 poles: 35mm, 6 poles: 45mm
Wire Specification:	0,08mm ² / 0,14mm ²

CONNECTOR

SIGNAL CONNECTORS MICRO A/B* 2-POLE PLUG & PANEL MOUNT A&C

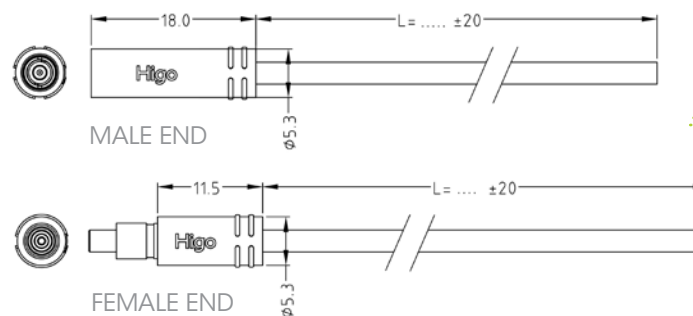
ARTICLE NUMBER BUILD-UP:



Micro A



Micro B



CHARACTERISTICS

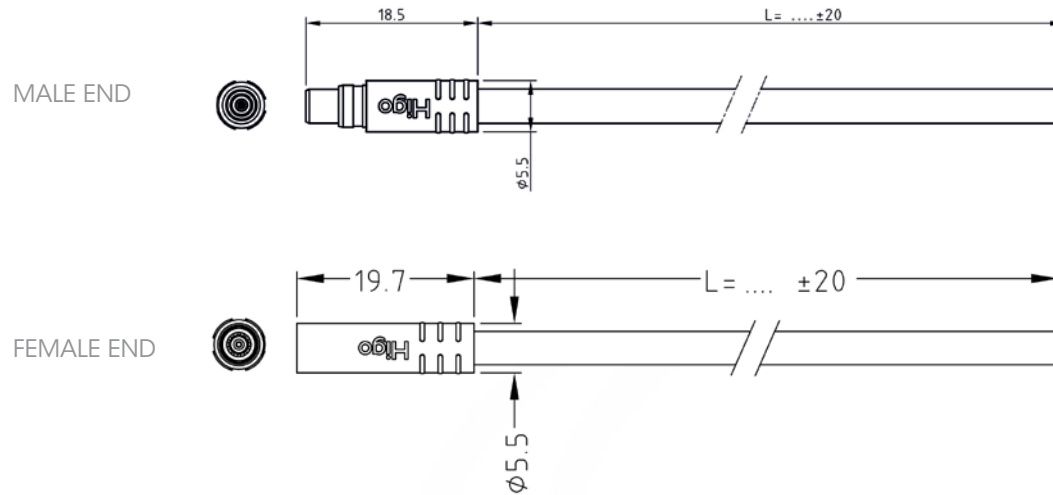
Temperature Range:	-25°C up to +80°C
Rated Voltage:	48V AC/DC
Rated Current:	2A (DS/AW) / 5A (S4)
Contact Resistance:	≤10mΩ
Insulation Resistance:	≥20MΩ
Protection Level:	IP67
Mating Cycles:	200 times
Outside Diameter:	4,8mm (A), 5,3mm (B)
Fitting Length:	35,4mm (A), 29,5mm (B)
Wire Specification:	0,14mm ² (A/B) / 0,34mm ² (B)

* A or B are indicated when a specification is only applicable for one or the other

HIGO



SIGNAL CONNECTORS MICRO A 3-POLE PLUG



ARTICLE NUMBER BUILD-UP:

Number of poles: 3

00: Standard
01: Cable & wires stripped + tinned
05: Customised with other connectors

Z305A * P * * FV * * * *

M: Female
G: Male

EXTENSION CABLES:
X: Male-Female
Y: Female-Female
Z: Male-Male

FV: PVC cable, 3x0,14mm²

Cable length in mm

CHARACTERISTICS

Temperature Range:	-25°C up to +80°C
Rated Voltage:	48V AC / 60V DC
Rated Current:	2A
Contact Resistance:	≤10mΩ
Insulation Resistance:	≥20MΩ
Protection Level:	IP66
Mating Cycles:	200 times
Outside Diameter:	5,5mm
Fitting Length:	31,7mm
Wire Specification:	0,14mm ²

CONNECTOR



SIGNAL CONNECTORS MINI C PLUG (P) & PANEL MOUNT (C)*



ARTICLE NUMBER BUILD-UP:

09: 2 up to 6 poles (P)
10: 8 poles

P: Plug
C: Panel mount

00: Standard (P)
01: Cable & wires stripped & tinned (P)
03: With solder cup contacts with wires (C)
05: Customised with other connectors (P)

L * * * C * * * * * * * *

Number of poles:
2,3,4,5,6,
8(P)

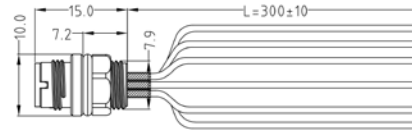
M: Female (P)
G: Male

EXTENSION CABLES:
X: Male-Female
Y: Female-Female
Z: Male-Male

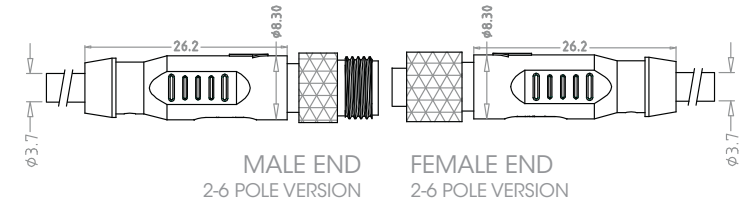
P:
A0: PVC cable 2x0,2mm²
A1: PVC cable 3x0,2mm²
A2: PVC cable 4x0,14mm²
A3: PVC cable 5x0,14mm²
A4: PVC cable 6x0,14mm²
A5: PVC cable 8x0,20mm²
For more options: see website

C:
00: PVC wires 2x0,2mm²
00: PVC wires 3x0,34mm²
00: PVC wires 4x0,2mm²
00: PVC wires 5x0,34mm²
00: PVC wires 6x0,2mm²

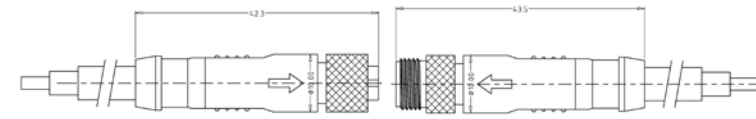
Cable length in mm



MALE PANEL MOUNT



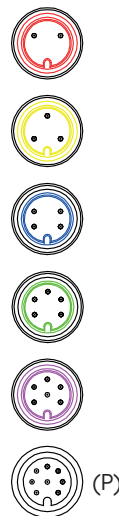
MALE END 2-6 POLE VERSION
FEMALE END 2-6 POLE VERSION



FEMALE END 8-POLE VERSION
MALE END 8-POLE VERSION

CHARACTERISTICS

Temperature Range:	-25°C up to +80°C
Rated Voltage:	48V AC / 60V DC
Rated Current:	2A
Contact Resistance:	≤10mΩ
Insulation Resistance:	≥20MΩ
Protection Level:	IP67
Mating Cycles:	200 times
Outside Diameter:	9,0mm (P) / 10,0mm (C)
Fitting Length (P):	68,6mm (2-6p) / 80,0mm (8p)
Wire Specification:	0,14mm ² / 0,2mm ² (P) 0,2mm ² / 0,34mm ² (C)



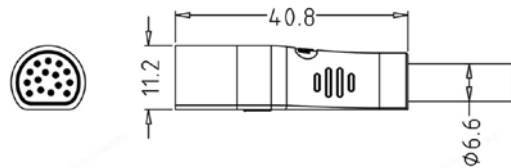
* P or C are indicated when a specification is only applicable for one or the other

HIGO

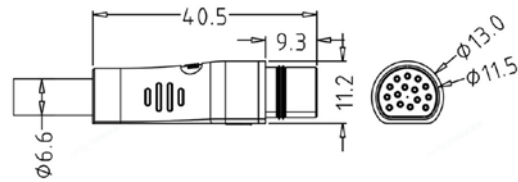


SIGNAL CONNECTORS MAIN PLUG

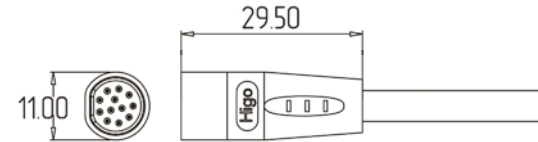
MALE END



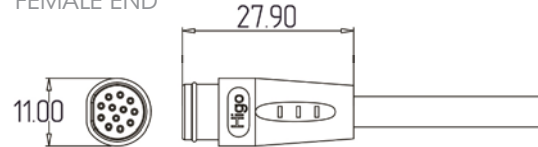
FEMALE END



MALE END



FEMALE END



ARTICLE NUMBER BUILD-UP:

Number of poles: 12, 15

00: Standard
01: Cable & wires stripped + tinned
05: Customised with other connectors

Z * * * * A * P * * * * * * * *

11 (12-pole)
13 (15-pole)

M: Female
G: Male

DW: PVC cable 12x0,14mm²
BV: PVC cable 15x0,14mm²

Cable length in mm

CHARACTERISTICS

Temperature Range:	-25°C up to +80°C
Rated Voltage:	48V AC / 60V DC
Rated Current:	2A
Contact Resistance:	≤10mΩ
Insulation Resistance:	≥20MΩ
Protection Level:	IP67
Mating Cycles:	200 times
Outside Diameter:	11,0mm (Z1211A) / 13,0mm (Z1513A)
Fitting Length:	53,0mm (Z1211A) / 72,0mm (Z1513A)
Wire Specification:	0,14mm ²



CONNECTOR



'There where we feel we can step up, we challenge ourselves to come up with more reliable and professional solutions. The designs in the battery connector range are good examples of this. By adding key features like flexible connections, self-locking mechanisms and by combining charging and discharging of batteries into one connector, we enhance the user friendliness of our products and we broaden our scope.'

Ignacio Higes Higes, Business Development Manager Spain & Portugal





BATTERY CONNECTORS



PUSH-ON 2P-5P

36 - 39



PUSH-ON 6P-12P

40 - 46



PUSH-ON FLEXIBLE 6P

47 - 48



SELF- & MANUAL LOCKING 5P & 8P

49 - 52



SELF-LOCKING 8P, BUTTON RELEASE

53



SCREW LOCKING 5P & 6P

54 - 55

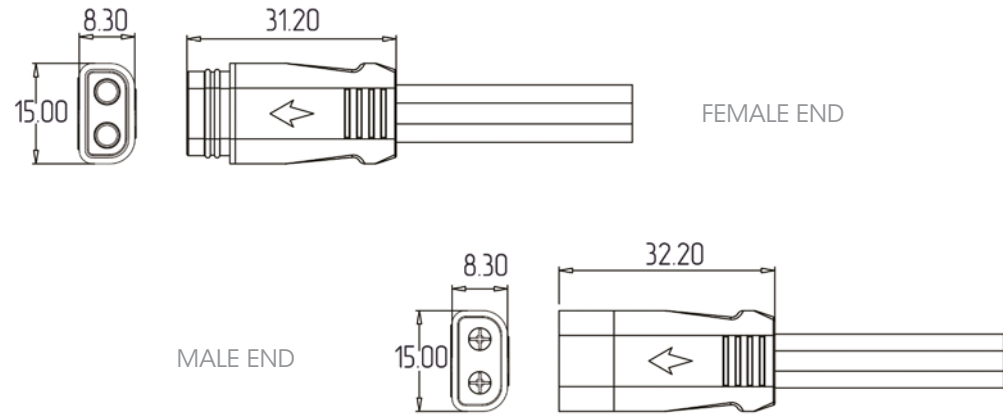
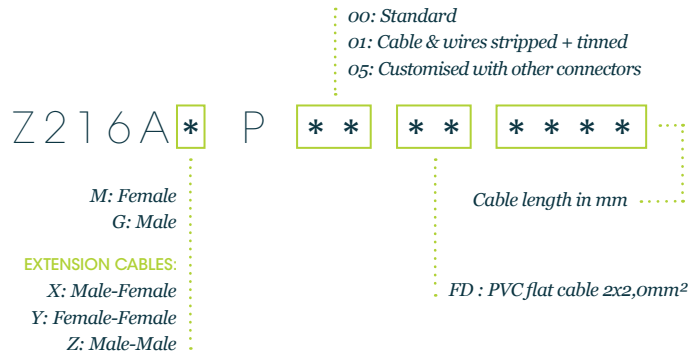


For a complete overview of battery connectors

BATTERY CONNECTORS **PUSH-ON**



ARTICLE NUMBER BUILD-UP:



CHARACTERISTICS

Temperature Range:	-25°C up to +80°C
Rated Voltage:	48V AC / 60V DC
Rated Current:	25A
Contact Resistance:	≤10mΩ
Insulation Resistance:	≥20MΩ
Protection Level:	IP67
Mating Cycles:	200 times
Outside Diameter:	15,0mm x 8,30mm
Fitting Length:	51,0mm
Wire Specification:	2,0mm ²

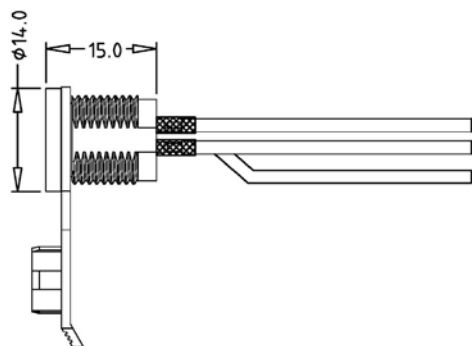
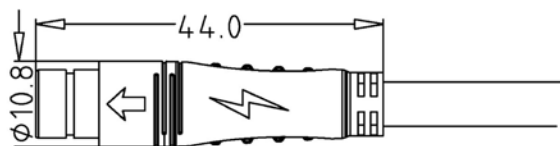


HIGO



BATTERY CONNECTORS **PUSH-ON**

MALE PLUG



FEMALE PANEL MOUNT

ARTICLE NUMBER BUILD-UP:

Z311A* * * * *

M: Female
G: Male

P: Plug
C: Panel Mount

Cable length in mm

Extension cables:
Z: Male-Male (plug)

FJ: PVC Cable, OD5,60mm, 3x0,5mm²
FK: PVC Single wire, UL1007, 3x0,5mm²

00: Standard
03: with solder cup contacts with wires
05: Customised with other connectors

CHARACTERISTICS

Temperature Range:	-25°C up to +80°C
Rated Voltage:	48V AC / 60V DC
Rated Current:	5A
Contact Resistance:	≤10mΩ
Insulation Resistance:	≥20MΩ
Protection Level:	IP66
Mating Cycles:	3000 times
Outside Diameter:	10,8mm (P) / 14,0mm (C)
Wire Specification:	0,5mm ²

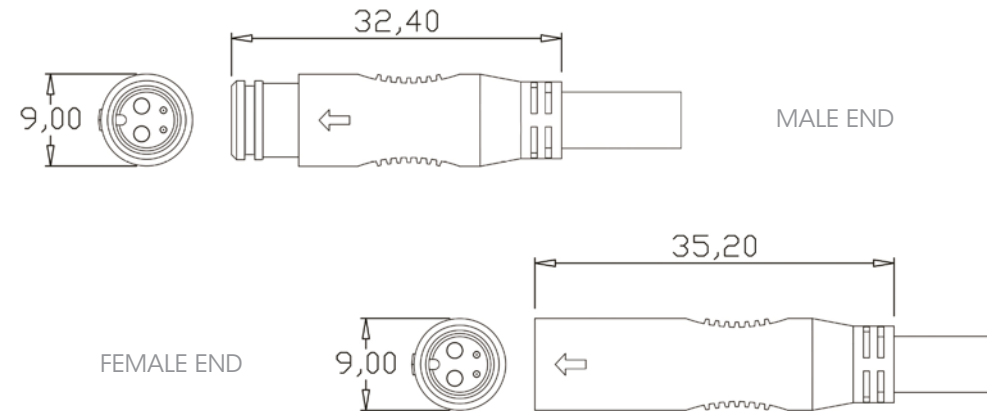
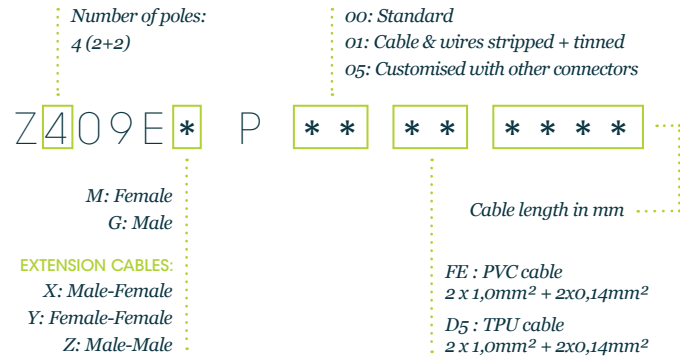


CONNECTOR

BATTERY CONNECTORS **PUSH-ON**



ARTICLE NUMBER BUILD-UP:



CHARACTERISTICS

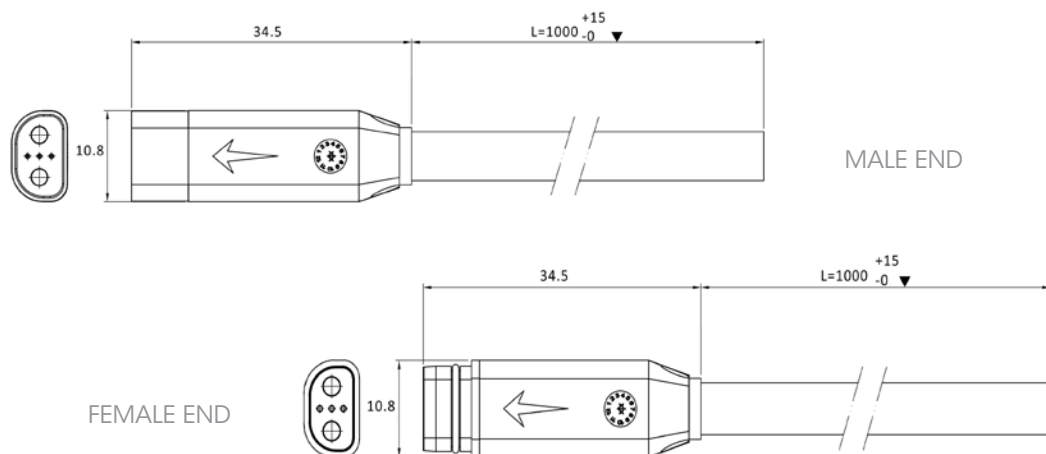
Temperature Range:	-25°C up to +80°C
Rated Voltage:	48V AC / 60V DC
Rated Current:	15A / 2A
Contact Resistance:	≤10mΩ
Insulation Resistance:	≥20MΩ
Protection Level:	IP67
Mating Cycles:	200 times
Outside Diameter:	9,0mm
Fitting Length:	61,0mm
Wire Specification:	2 x 1,0mm ² + 2 x 0,14mm ²



HIGO



BATTERY CONNECTORS **PUSH-ON**



ARTICLE NUMBER BUILD-UP:

Number of poles:
5 (2+3)

oo: Standard
01: Cable&wires stripped+tinned
05: Customised with other connectors

Z511B* P ** FT ***

M: Female
G: Male

EXTENSION CABLES:
X: Male-Female
Y: Female-Female
Z: Male-Male

Cable length in mm

FT: PVC cable 2x2,0mm²+3x0,14mm²



CHARACTERISTICS

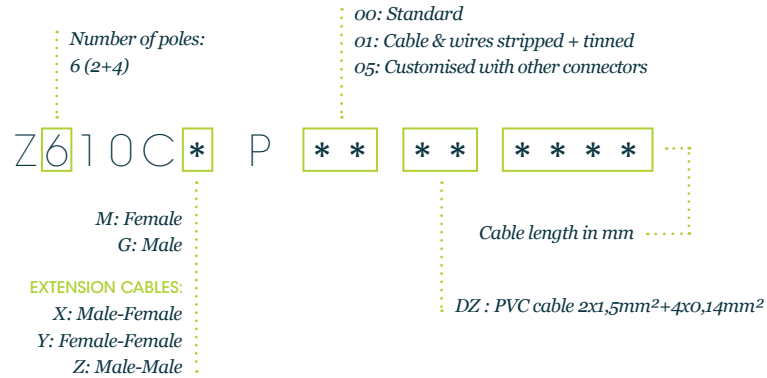
Temperature Range:	-25°C up to +80°C
Rated Voltage:	48V AC / 60V DC
Rated Current:	20A / 2A
Contact Resistance:	≤10mΩ
Insulation Resistance:	≥20MΩ
Protection Level:	IP67
Mating Cycles:	200 times
Outside Diameter:	10,8mm
Fitting Length:	63,0mm
Wire Specification:	2 x 2,0mm ² + 3 x 0,14mm ²

CONNECTOR

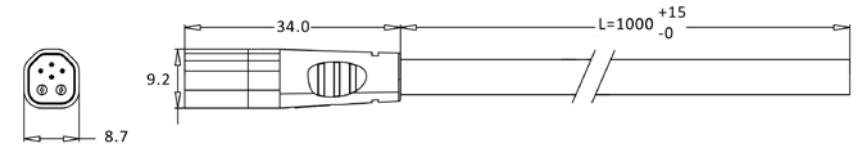
BATTERY CONNECTORS **PUSH-ON**



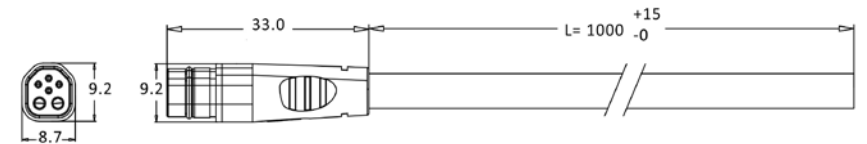
ARTICLE NUMBER BUILD-UP:



MALE END



FEMALE END



CHARACTERISTICS

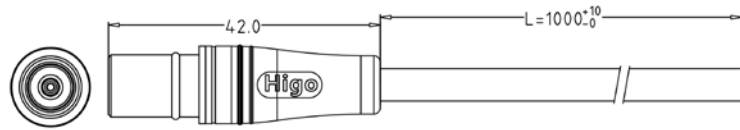
Temperature Range:	-25°C up to +80°C
Rated Voltage:	48V AC / 60V DC
Rated Current:	15A / 2A
Contact Resistance:	≤10mΩ
Insulation Resistance:	≥20MΩ
Protection Level:	IP67
Mating Cycles:	200 times
Outside Diameter:	8,70mm x 9,20mm
Fitting length:	59,0mm
Wire Specification:	2 x 1,5mm ² + 4 x 0,14mm ²



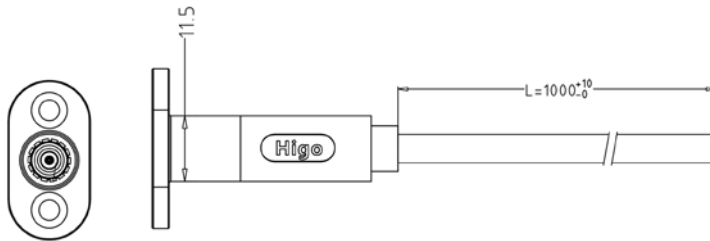
HIGO

NEW

BATTERY CONNECTORS **PUSH-ON**



MALE END



FEMALE END



ARTICLE NUMBER BUILD-UP:

Z212A* P ** ** * * * *

oo: Standard
 01: Cable & wires stripped + tinned
 05: Customised with other connectors

M: Female
 G: Male

EXTENSION CABLES:
 X: Male-Female
 Y: Female-Female
 Z: Male-Male

Cable length in mm

BW: PVC cable 2x18AWG

CHARACTERISTICS

Temperature Range: -25°C up to +80°C
 Rated Voltage: 48V AC / 60V DC
 Rated Current: 8A
 Contact Resistance: ≤10mΩ
 Insulation Resistance: ≥20MΩ
 Protection Level: IP67
 Mating Cycles: 3000 times
 Outside diameter: 11,5mm

CONNECTOR

BATTERY CONNECTORS PUSH-ON, 36V



ARTICLE NUMBER BUILD-UP: (Coding only for 36v applications)

Number of poles:
6 (2+4)

00: Standard
01: Cable & wires stripped + tinned
03: with solder cup contacts with wires
05: Customised with other connectors

M: Female
G: Male

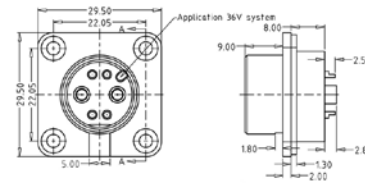
EXTENSION CABLES:
X: Male-Female
Y: Female-Female
Z: Male-Male

P: Plug
C: Panel Mount

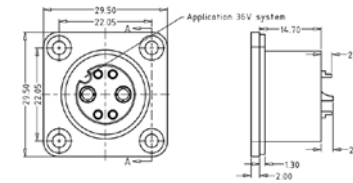
Cable length in mm

DR: PVC single wires 2x4,0mm² + 4x0,2mm²
D1: PVC single wires 2xAWG14 + 4xAWG22
B6: PVC single wires 2xAWG16 + 4xAWG22
D9: PVC single wires 2xAWG18 + 4xAWG22
FH: TPU cable 2x2,0mm² + 4x0,34mm²

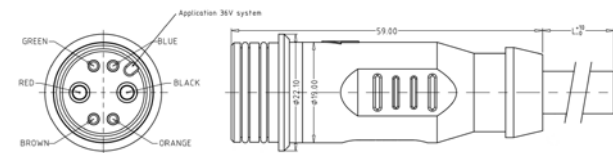
Article number example: Z624C** ** ** ** **



MALE PANEL MOUNT



FEMALE PANEL MOUNT



MALE PLUG

CHARACTERISTICS

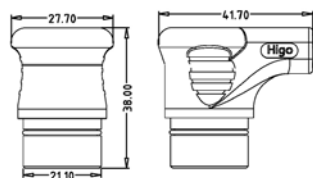
Temperature Range:	-25°C up to +80°C
Rated Voltage:	48V AC / 60V DC
Rated Current:	40A / 5A
Contact Resistance:	≤10mΩ
Insulation Resistance:	≥20MΩ
Protection Level:	IP67
Mating Cycles:	3000 times
Outside Diameter:	19,0mm (P) / 29,5mm (C)



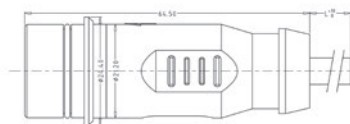
HIGO



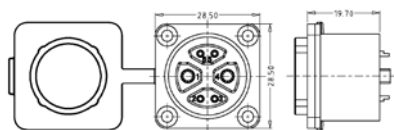
BATTERY CONNECTORS **PUSH-ON, 48 V**



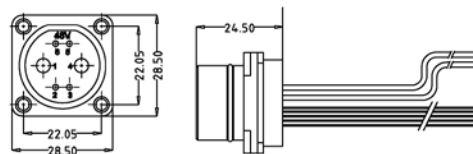
MALE ANGLED PLUG



MALE PLUG



FEMALE PANEL MOUNT



MALE PANEL MOUNT



ARTICLE NUMBER BUILD-UP: (Coding only for 48v applications)

Number of poles:
6 (2+4)

- 00: Standard
- 01: Cable & wires stripped + tinned
- 03: with solder cup contacts with wires
- 05: Customised with other connectors

Z624B* * ** ** ****

M: Female
G: Male

P: Plug
C: Panel Mount
A: Angled Plug

Cable length in mm

EXTENSION CABLES:
X: Male-Female
Y: Female-Female
Z: Male-Male

- D1: PVC single wires 2xAWG14 + 4xAWG22
- B6: PVC single wires 2xAWG16 + 4xAWG22
- D9: PVC single wires 2xAWG18 + 4xAWG22
- FH: TPU cable 2x2,0mm² + 4x0,34mm²
- DR: PVC single wires 2x4,0mm² + 4x0,2mm²

CHARACTERISTICS

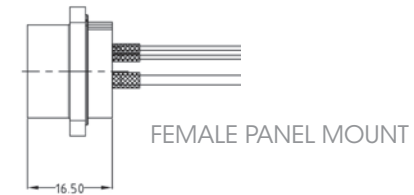
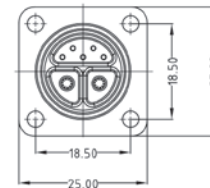
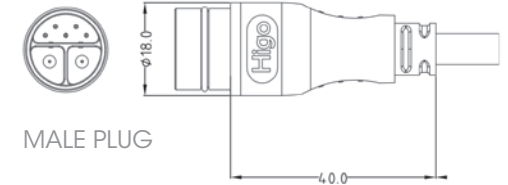
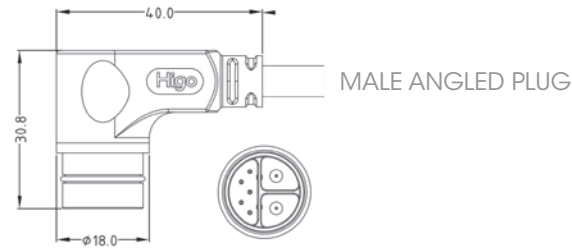
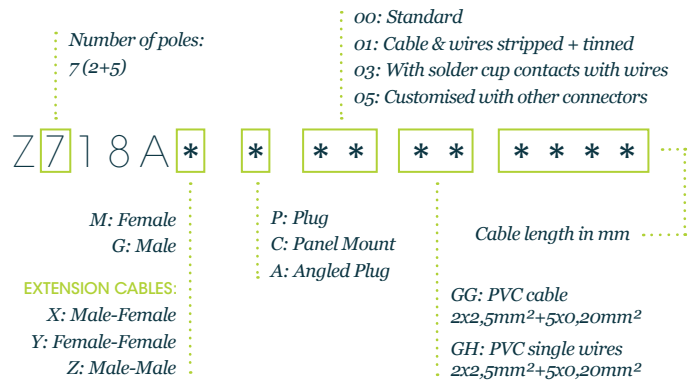
Temperature Range:	-25°C up to +80°C
Rated Voltage:	48V AC / 60V DC
Rated Current:	40A / 5A
Contact Resistance:	≤10mΩ
Insulation Resistance:	≥20MΩ
Protection Level:	IP67
Mating Cycles:	3000 times
Outside Diameter:	21,2mm (P) / 28,5mm (C)

CONNECTOR

BATTERY CONNECTORS **PUSH-ON**



ARTICLE NUMBER BUILD-UP:



CHARACTERISTICS

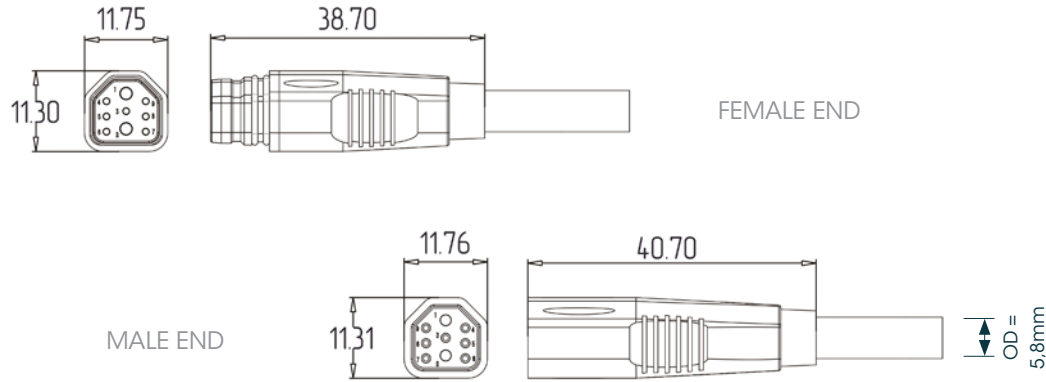
Temperature Range:	-25°C up to +80°C
Rated Voltage:	48V AC / 60V DC
Rated Current:	25A / 2A
Contact Resistance:	≤10mΩ
Insulation Resistance:	≥20MΩ
Protection Level:	IP67
Mating Cycles:	3000 times
Outside Diameter:	17mm
Fitting Length:	30 to 50mm
Wire Specification:	2 x 2,5mm ² + 5 x 0,20mm ²



HIGO



BATTERY CONNECTORS **PUSH-ON**



ARTICLE NUMBER BUILD-UP:

Number of poles: 9 (2+7)

00: Standard
01: Cable & wires stripped + tinned
05: Customised with other connectors

Z913C* P ** ** ** **

M: Female
G: Male

EXTENSION CABLES:
X: Male-Female
Y: Female-Female
Z: Male-Male

Cable length in mm
FA : PVC cable 2x1,5mm²+7x0,15mm²



CHARACTERISTICS

Temperature Range:	-25°C up to +80°C
Rated Voltage:	48V AC / 60V DC
Rated Current:	15A / 2A
Contact Resistance:	≤10mΩ
Insulation Resistance:	≥20MΩ
Protection Level:	IP67
Mating Cycles:	200 times
Outside diameter:	11,31mm x 11,76mm
Fitting length:	71,0mm
Wire Specification:	2 x 1,5mm ² + 7 x 0,15mm ²

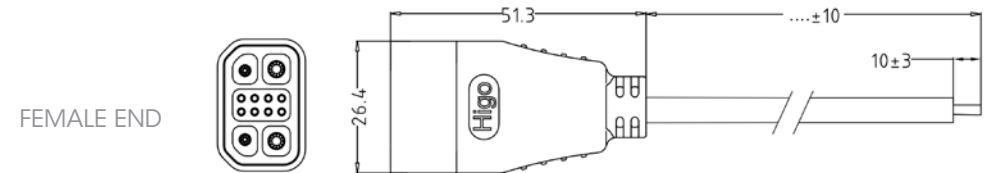
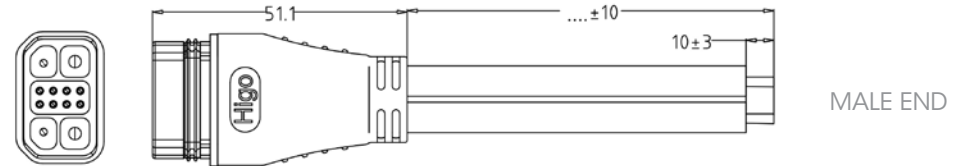
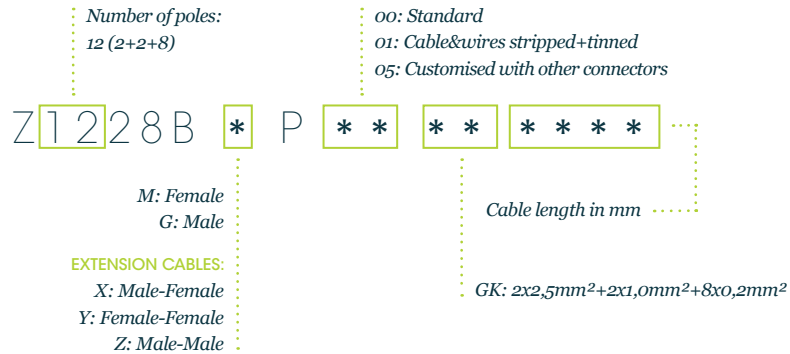
CONNECTOR

BATTERY

BATTERY CONNECTORS CHARGING & DISCHARGING IN 1, PUSH-ON



ARTICLE NUMBER BUILD-UP:



CHARACTERISTICS

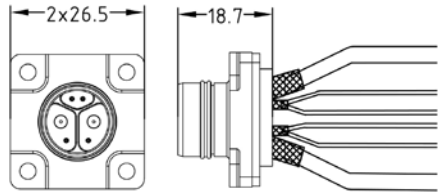
Temperature Range:	-25°C up to +80°C
Rated Voltage:	48V AC / 60V DC
Rated Current:	25A / 10A / 2A
Contact Resistance:	≤10mΩ
Insulation Resistance:	≥20MΩ
Protection Level:	IP67
Mating Cycles:	3000 times
Outside Diameter:	28,0mm
Fitting Length:	90,8mm
Wire Specification:	2 x 2,5mm ² + 2 x 1,0mm ² + 8 x 0,2mm ²



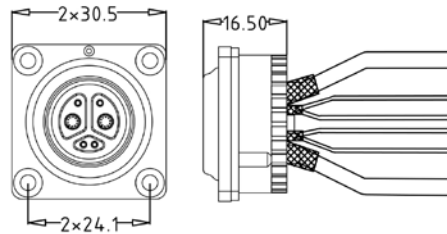
HIGO



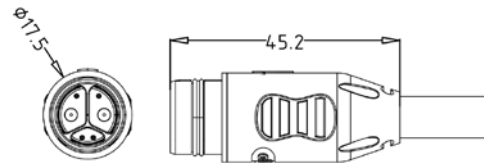
BATTERY CONNECTORS **PUSH-ON FLEXIBLE**



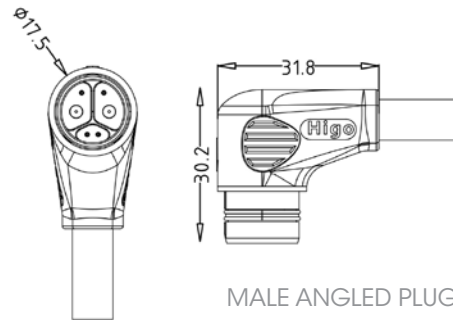
MALE PANEL MOUNT



FEMALE PANEL MOUNT



MALE PLUG



MALE ANGLED PLUG

ARTICLE NUMBER BUILD-UP:

Number of poles:
6 (2+4)

00: Standard
01: Cable & wires stripped + tinned
03: With solder cup contacts with wires
05: Customised with other connectors

F618A * * * * *

M: Female
G: Male

EXTENSION CABLES:
X: Male-Female
Y: Female-Female
Z: Male-Male

P: Plug
C: Panel Mount
A: Angled Plug

Cable length in mm

GN: PVC cable 2x3,3mm²+4x0,20mm²
GA: PVC single wires 2x3,3mm²+4x0,20mm²
VM: 2xOD4,0mm, 12AWG, Silicon insulation
4xOD1,4mm, 24AWG, PVC insulation

CHARACTERISTICS

Temperature Range:	-25°C up to +80°C
Rated Voltage:	48V AC / 60V DC
Rated Current:	30A / 2A
Contact Resistance:	≤10mΩ
Insulation Resistance:	≥20MΩ
Protection Level:	IP67
Mating Cycles:	3000 times
Outside diameter:	18mm
Fitting length:	20 to 40mm
Wire Specification:	2 x 3,3mm ² + 4 x 0,20mm ²



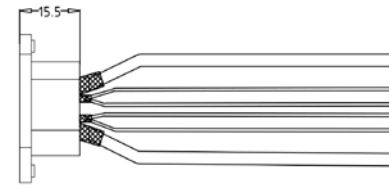
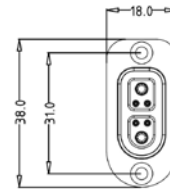
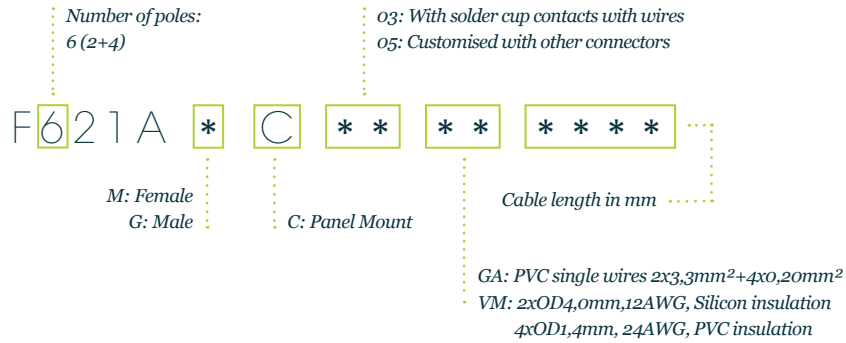
CONNECTOR

BATTERY CONNECTORS

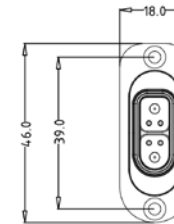
PUSH-ON FLEXIBLE



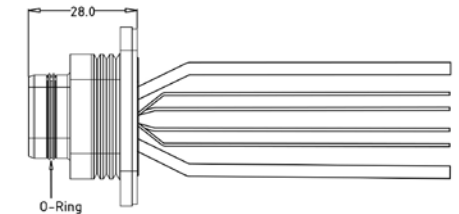
ARTICLE NUMBER BUILD-UP:



FEMALE PANEL MOUNT



MALE PANEL MOUNT



CHARACTERISTICS

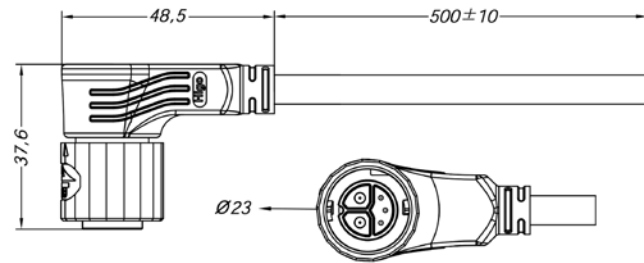
Temperature Range:	-25°C up to +80°C
Rated Voltage:	48V AC / 60V DC
Rated Current:	30A / 2A
Contact Resistance:	≤10mΩ
Insulation Resistance:	≥20MΩ
Protection Level:	IP67
Mating Cycles:	3000 times
Wire Specification:	2 x 3,3mm ² + 4 x 0,20mm ²



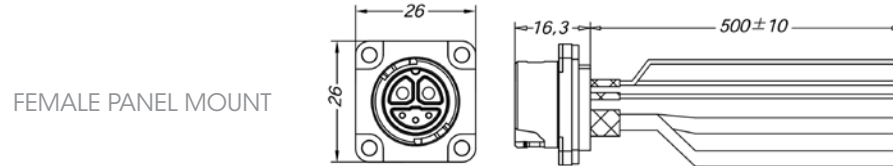
HIGO



BATTERY CONNECTORS SELF-LOCKING



MALE ANGLED PLUG



FEMALE PANEL MOUNT

ARTICLE NUMBER BUILD-UP:

Number of poles:
5 (2+3)

00: Standard
01: Cable & wires stripped + tinned
03: With solder cup contacts with wires
05: Customised with other connectors

S526A * * * * * * * *

M: Female
G: Male

A: Angled Plug
C: Panel Mount

Cable length in mm

B0: PVC cable 2x2,0mm²+3x0,20mm²
B9: PVC single wires 2x2,0mm²+3x0,20mm²

CHARACTERISTICS

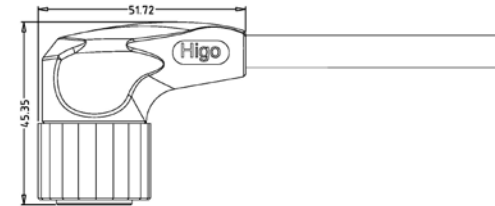
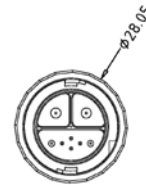
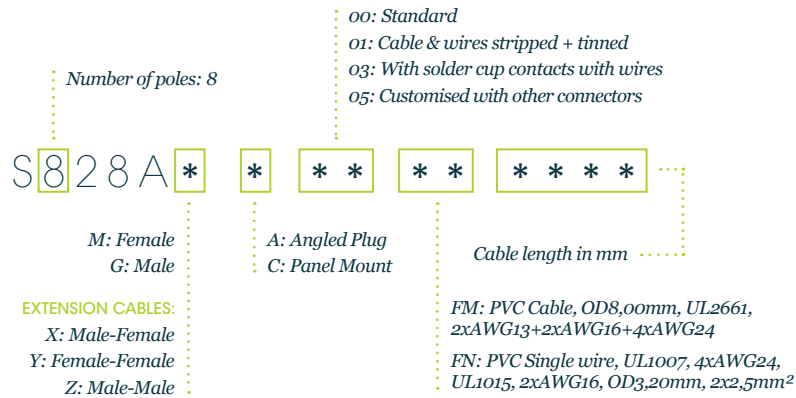
Temperature Range:	-25°C up to +80°C
Rated Voltage:	48V AC / 60V DC
Rated Current:	25A / 2A
Contact Resistance:	≤10mΩ
Insulation Resistance:	≥20MΩ
Protection Level:	IP67
Mating Cycles:	3000 times
Outside diameter:	26mm
Fitting length:	40mm
Wire Specification:	2 x 2,0mm ² + 3 x 0,20mm ²

CONNECTOR

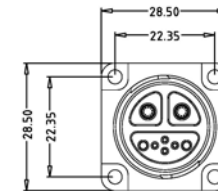
BATTERY CONNECTORS CHARGING & DISCHARGING IN 1, SELF-LOCKING



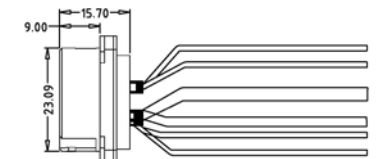
ARTICLE NUMBER BUILD-UP:



MALE ANGLED PLUG



FEMALE PANEL MOUNT



CHARACTERISTICS

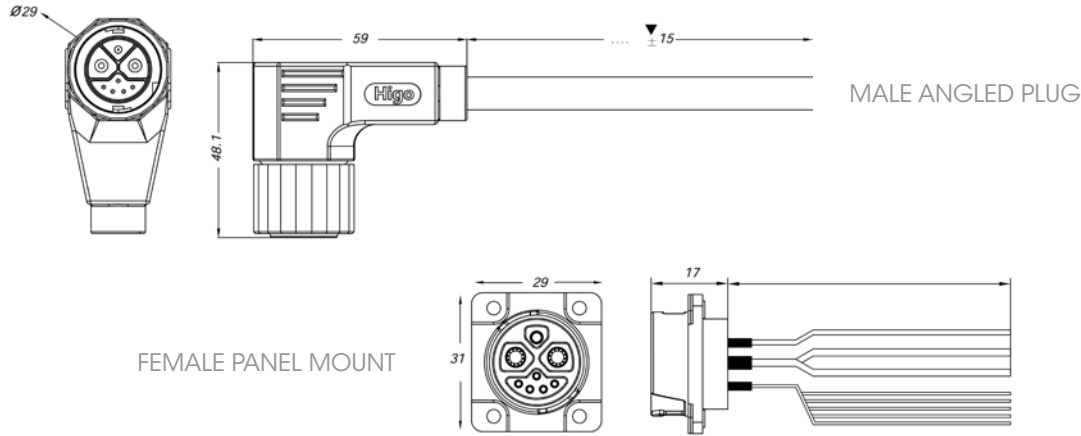
Temperature Range:	-25°C up to +80°C
Rated Voltage:	48V AC / 60V DC
Rated Current:	25A / 10A / 2A
Contact Resistance:	≤10mΩ
Insulation Resistance:	≥20MΩ
Protection Level:	IP67
Mating Cycles:	3000 times
Outside diameter:	28,05mm (P) / 23,09mm (C)
Wire Specifications:	2,5mm ² / 1,5mm ² / 0,8mm ²



HIGO



BATTERY CONNECTORS CHARGING & DISCHARGING IN 1, SELF-LOCKING



ARTICLE NUMBER BUILD-UP:

Number of poles:
8 (2+1+5)

oo: Standard
01: Cable & wires stripped + tinned
03: With solder cup contacts with wires
05: Customised with other connectors

Cable length in mm

S828B * * * * * * * *

M: Female
G: Male

A: Angled Plug
C: Panel Mount

CD: PVC cable, OD10,0mm 2*10AWG+1*18AWG+5*22AWG, UL20167
GX: PVC single wires, 2*10AWG+1*18AWG+5*22AWG
GM: PVC single wires, 2*11AWG+1*18AWG+5*24AWG



CHARACTERISTICS

Temperature Range:	-25°C up to +80°C
Rated Voltage:	48V AC / 60V DC
Rated Current:	50A / 15A / 2A
Contact Resistance:	≤10mΩ
Insulation Resistance:	≥20MΩ
Protection Level:	IP67
Mating Cycles:	3000 times
Outside diameter:	28mm
Fitting length:	50mm
Wire Specification:	2*10AWG+1*18AWG+5*22AWG

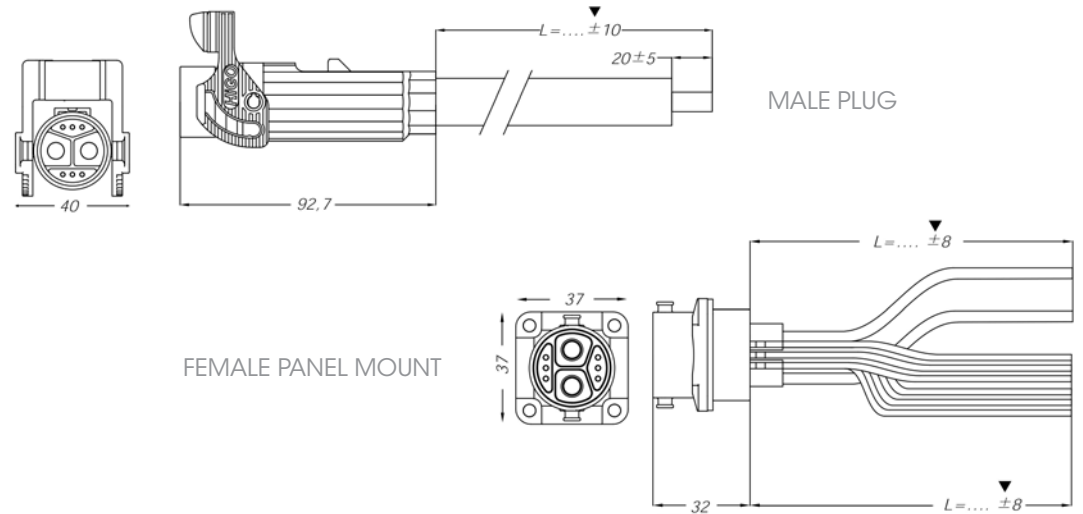
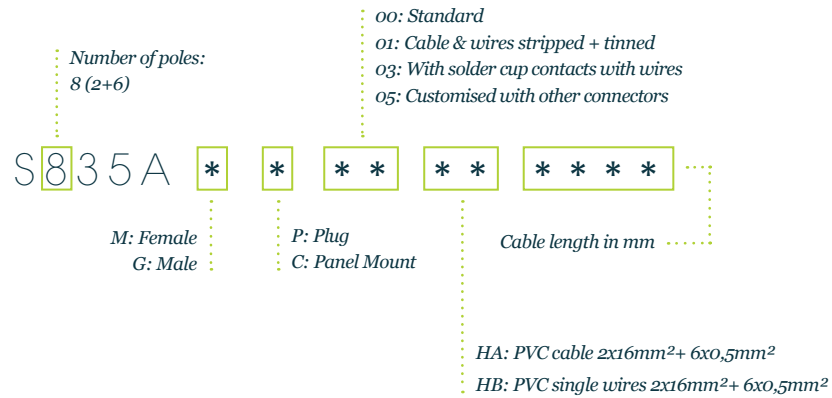
CONNECTOR

BATTERY CONNECTORS

MANUAL LOCKING



ARTICLE NUMBER BUILD-UP:



CHARACTERISTICS

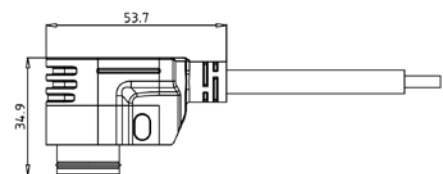
Temperature Range:	-25°C up to +80°C
Rated Voltage:	48V AC / 60V DC
Rated Current:	100A / 2A
Contact Resistance:	≤10mΩ
Insulation Resistance:	≥20MΩ
Protection Level:	IP67
Mating Cycles:	3000 times
Outside diameter:	28mm
Fitting length:	97mm
Wire Specification:	2 x 16,0mm ² + 6 x 0,5mm ²



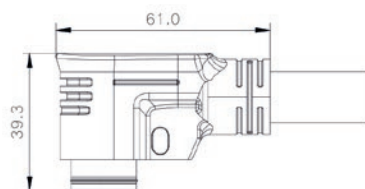
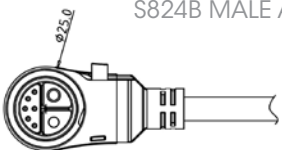
HIGO



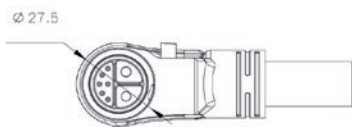
BATTERY CONNECTORS SELF-LOCKING, BUTTON RELEASE



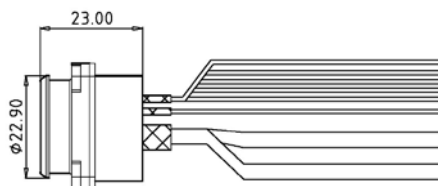
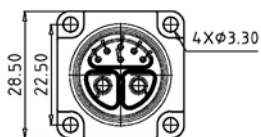
S824B MALE ANGLED PLUG



S824A MALE ANGLED PLUG



FEMALE PANEL MOUNT



ARTICLE NUMBER BUILD-UP:

Number of poles:
8 (6+2)

A: rated current = 70A / 2A
B: rated current = 40A / 2A

00: Standard
01: Cable & wires stripped + tinned
03: With solder cup contacts with wires
05: Customised with other connectors

S 8 2 4 * * * * * * * *

M: Female
G: Male

A: Angled plug
C: Panel Mount

EXTENSION CABLES:
X: Male-Female
Y: Female-Female
Z: Male-Male

Cable length in mm

A type:
FP: PVC cable, 2x10,0mm² + 6x0,20mm²
FQ: PVC single wires, 2x10,0mm² + 6x0,20mm²

B type:
FR: PVC cable, 2x4,0mm² + 6x0,20mm²
FS: PVC single wires, 2x4,0mm² + 6x0,20mm²

CHARACTERISTICS

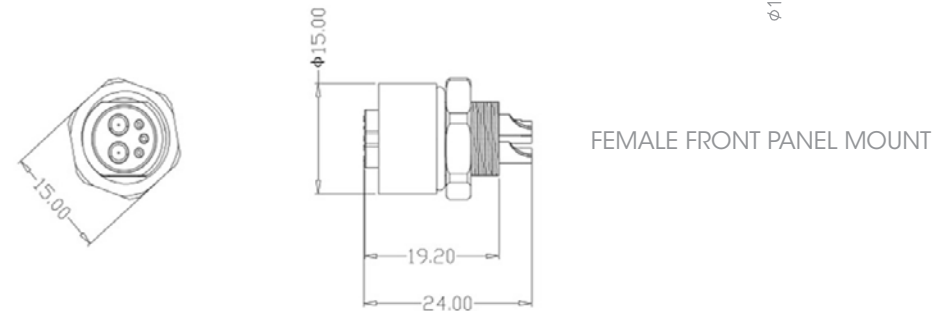
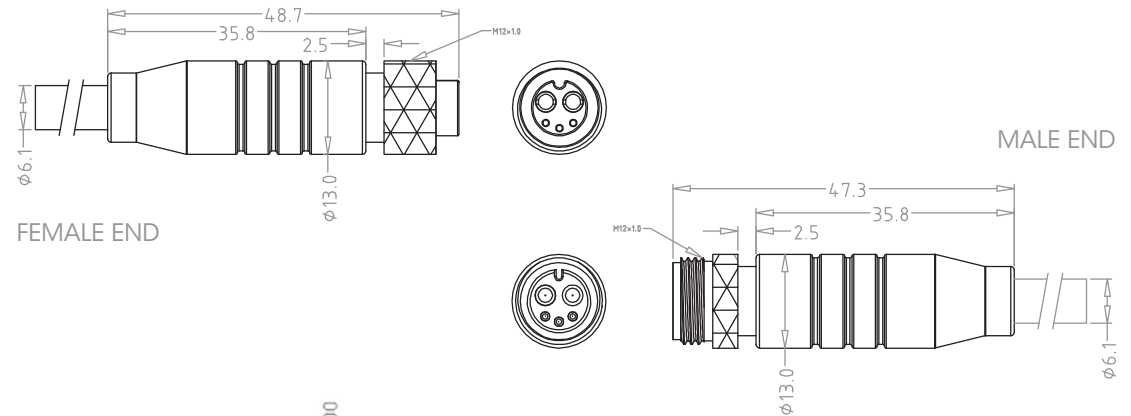
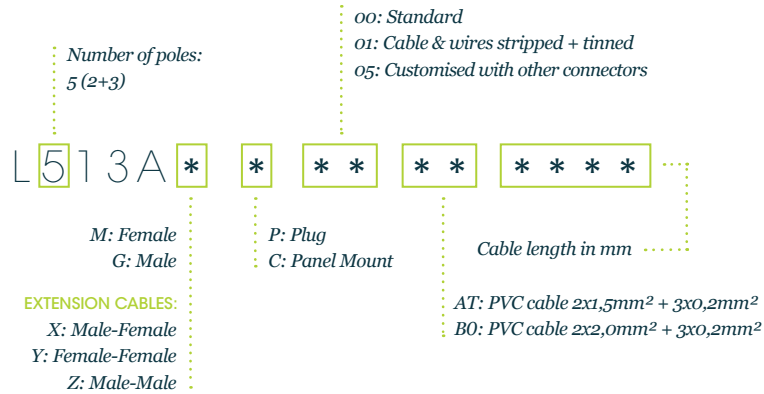
Temperature Range:	-25°C up to +80°C
Rated Voltage:	48V AC / 60V DC
Rated Current:	70A (A) or 40A (B) / 2A
Contact Resistance:	≤10mΩ
Insulation Resistance:	≥20MΩ
Protection Level:	IP67
Mating Cycles:	3000 times
Outside diameter:	25,0mm ² (P) / 22,9mm ² (C)
Wire Specification:	6 x 0,2mm ² + 2 x 10,0mm ² (A) / 6 x 0,2mm ² + 2 x 4,0mm ² (B)

CONNECTOR

BATTERY CONNECTORS SCREW-LOCKING



ARTICLE NUMBER BUILD-UP:



CHARACTERISTICS

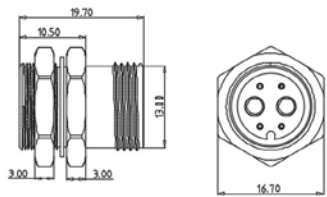
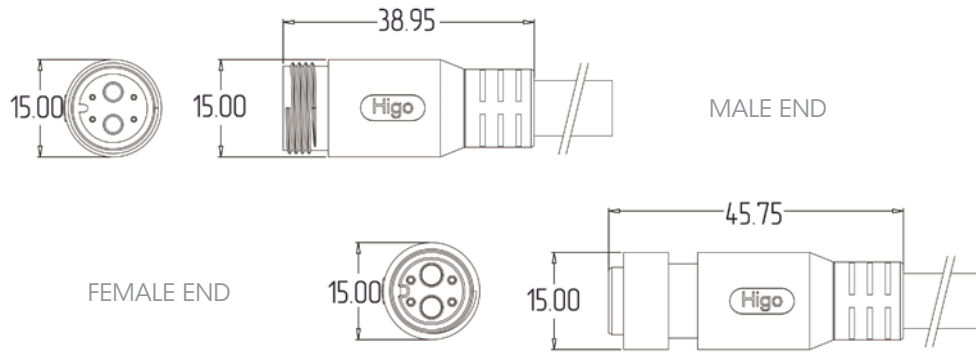
Temperature Range:	-25°C up to +80°C
Rated Voltage:	48V AC / 60V DC
Rated Current:	25A / 2A
Contact Resistance:	$\leq 10\text{m}\Omega$
Insulation Resistance:	$\geq 20\text{M}\Omega$
Protection Level:	IP67
Mating cycles:	200 times
Outside Diameter:	13,0mm
Fitting length:	96,0mm
Wire Specification:	1,5mm ² + 0,2mm ² / 2,0mm ² + 0,2mm ²



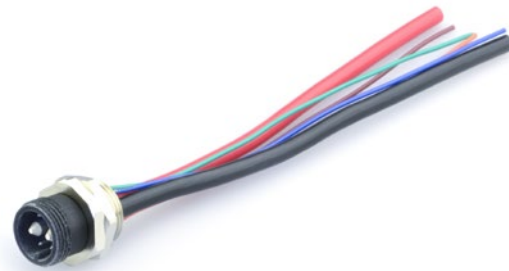
HIGO



BATTERY CONNECTORS SCREW-LOCKING



MALE FRONT PANEL MOUNT



ARTICLE NUMBER BUILD-UP:

Number of poles: 6(2+4)

oo: Standard
 01: Cable & wires stripped + tinned
 03: with solder cup contacts with wires
 05: Customised with other connectors

L615A* * * * * *

M: Female
 G: Male

P: Plug
 C: Panel Mount

Cable length in mm

DC: PVC cable 2x4,0mm² + 4x0,2mm²
 DR : PVC single wires 2x4,0mm²+4x0,2mm²

EXTENSION CABLES:
 X: Male-Female
 Y: Female-Female
 Z: Male-Male

CHARACTERISTICS

Temperature Range:	-25°C up to +80°C
Rated Voltage:	48V AC / 60V DC
Rated Current:	40A / 2A
Contact Resistance:	≤10mΩ
Insulation Resistance:	≥20MΩ
Protection Level:	IP67
Mating Cycles:	200 times
Outside diameter:	15,0mm
Fitting length:	77,5mm
Wire Specifications:	2 x 4,0mm ² / 4 x 0,2mm ²

CONNECTOR

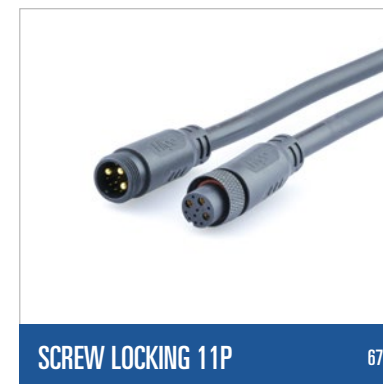
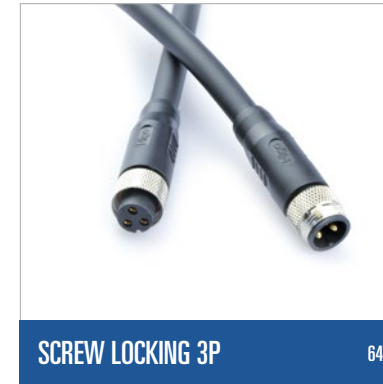


'Where does the E-mobility market take us? What's the next big thing? And how can we add value to this? Staying ahead of what's coming is never easy. Of course, we're fortunate to be able to listen to product development plans of many E-mobility entrepreneurs every day. This pretty much gives us a good indication as to where we should focus on. Finding the blind spots in our range and coming up with smart solutions that help realising a customer's great project, that's what makes me tick'.

Jannes Christiaensen, International Key Accountmanager



MOTOR CONNECTORS



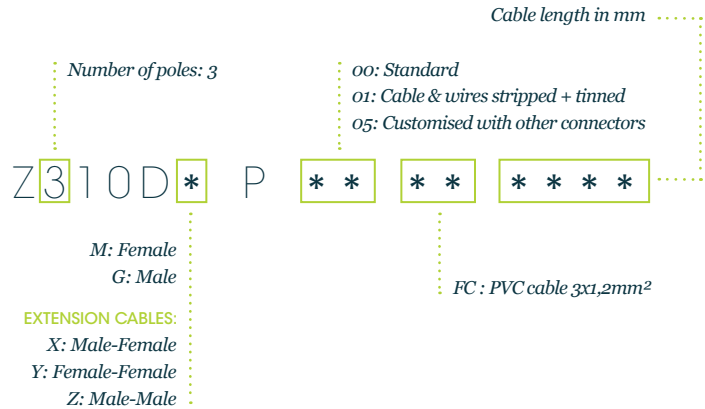
SCAN ME

For a complete overview of motor connectors

MOTOR CONNECTORS **PUSH-ON**

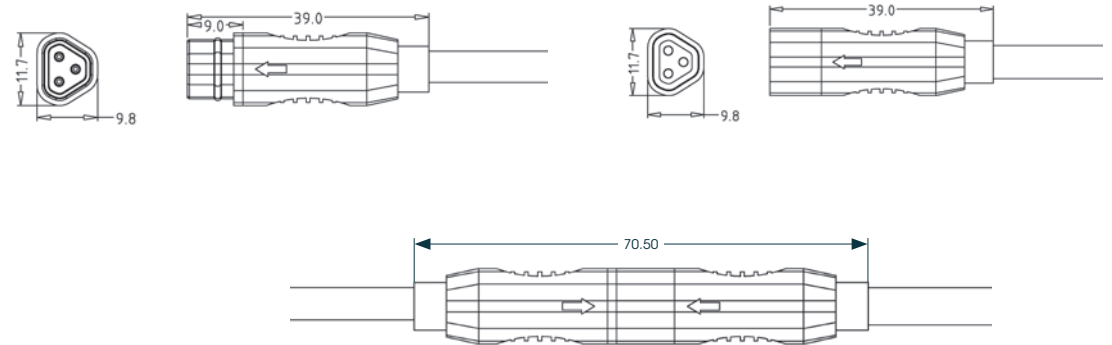


ARTICLE NUMBER BUILD-UP:



MALE END

FEMALE END



CHARACTERISTICS

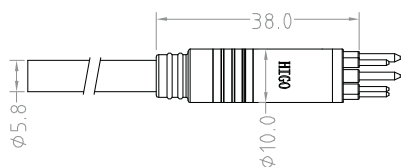
Temperature Range:	-25°C up to +80°C
Rated Voltage:	48V AC / 60V DC
Rated Current:	15A
Contact Resistance:	≤10mΩ
Insulation Resistance:	≥20MΩ
Protection Level:	IP67
Mating Cycles:	200 times
Outside Diameter:	11,72mm x 9,8mm
Fitting Length:	71,0mm
Wire Specification:	1,2mm ²



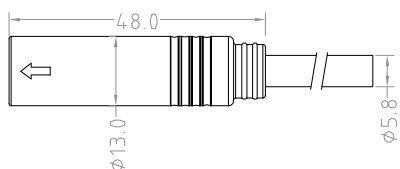
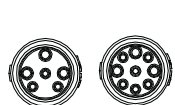
HIGO



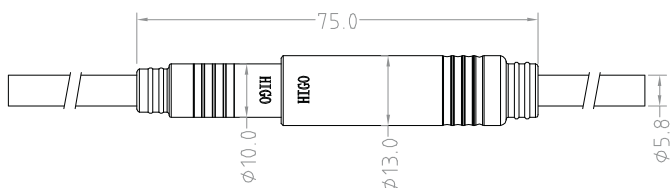
MOTOR CONNECTORS **PUSH-ON**



MALE END



FEMALE END



ARTICLE NUMBER BUILD-UP:

Number of poles:
6 (3+3) / 9 (3+6)

oo: Standard
o1: Cable & wires stripped + tinned
o5: Customised with other connectors

Cable length in mm

Z * 10 A * P * * * * *

M: Female
G: Male

EXTENSION CABLES:
X: Male-Female
Y: Female-Female
Z: Male-Male

AC: PVC cable 3x1,2mm² + 3x0,2mm²
AD: PVC cable 3x1,5mm² + 3x0,2mm²
AE: PVC cable 3x1,2mm² + 6x0,2mm²
AF: PVC cable 3x1,5mm² + 6x0,14mm²

CHARACTERISTICS

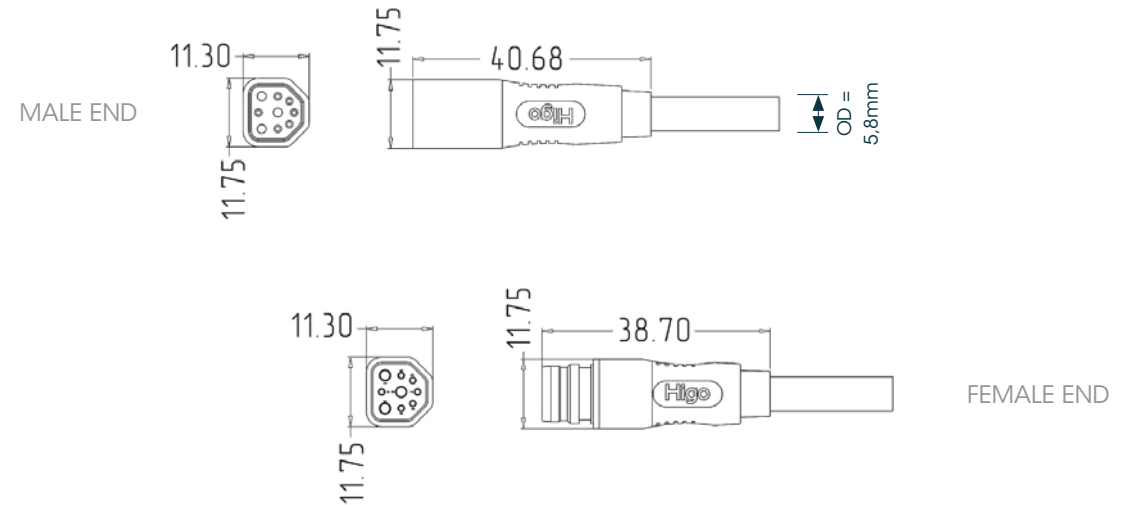
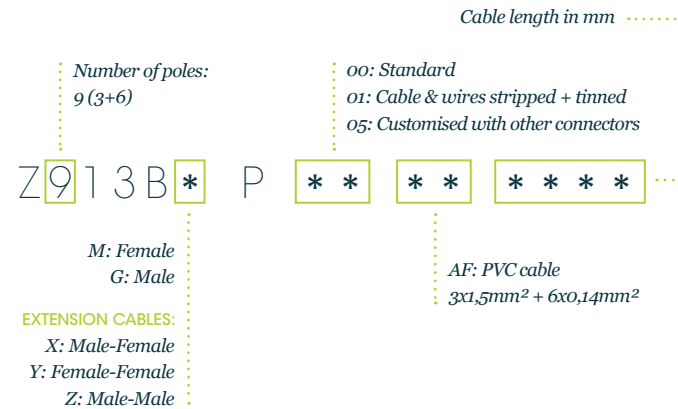
Temperature Range:	-25°C up to +80°C
Rated Voltage:	48V AC / 60V DC
Rated Current:	15A / 2A
Contact Resistance:	≤10mΩ
Insulation Resistance:	≥20MΩ
Protection Level:	IP66
Mating Cycles:	200 times
Outside Diameter:	13,0mm
Fitting Length:	75,0mm
Wire Specification:	1,2mm ² / 1,5mm ² +0,2mm ²

CONNECTOR

MOTOR CONNECTORS **PUSH-ON**



ARTICLE NUMBER BUILD-UP:



CHARACTERISTICS

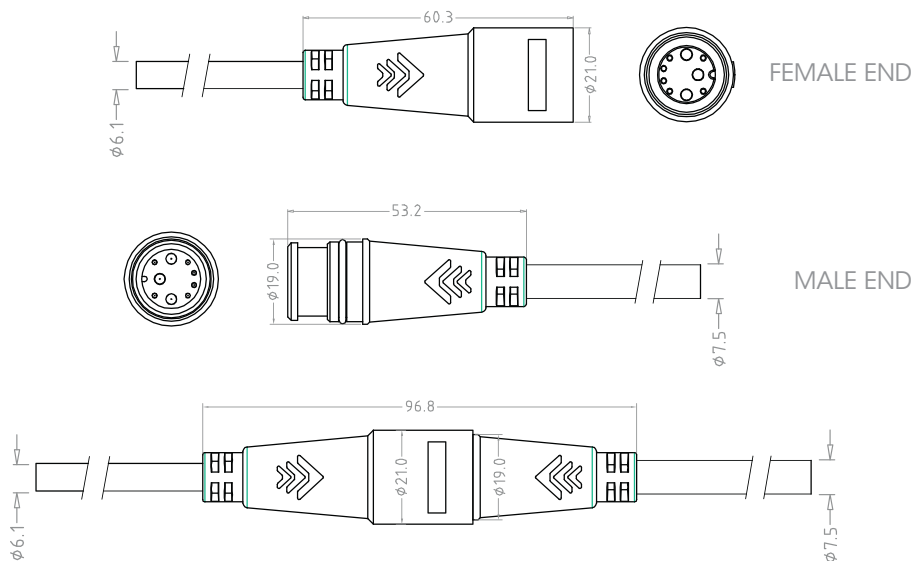
Temperature Range:	-25°C up to +80°C
Rated Voltage:	48V AC / 60V DC
Rated Current:	15A / 2A
Contact Resistance:	≤10mΩ
Insulation Resistance:	≥20MΩ
Protection Level:	IP67
Mating Cycles:	200 times
Outside Diameter:	11,75mm x 11,30mm
Fitting Length:	70,7mm
Wire Specification:	3 x 1,5mm ² + 6 x 0,14mm ² / 3 x 1,2mm ² + 6 x 0,2mm ²



HIGO



MOTOR CONNECTORS **PUSH-ON**



ARTICLE NUMBER BUILD-UP:

Number of poles: 9 (3+6)

Cable length in mm

00: Standard
01: Cable & wires stripped + tinned
05: Customised with other connectors

Z919A* P ** ** ** *

M: Female
G: Male

AE: PVC cable 3x1,2mm² + 6x0,2mm²
AF: PVC cable 3x1,5mm² + 6x0,14mm²
AK: PVC cable 3x2,0mm² + 6x0,15mm²

CHARACTERISTICS

Temperature Range:	-25°C up to +80°C
Rated Voltage:	48V AC / 60V DC
Rated Current:	30A / 2A, 3 power pin loaded
Contact Resistance:	≤10mΩ
Insulation Resistance:	≥20MΩ
Protection Level:	IP66
Contact Durability:	200 times
Outside Diameter:	21,0mm
Fitting Length:	96,8mm
Wire Specification:	2,0mm ² + 0,15mm ²

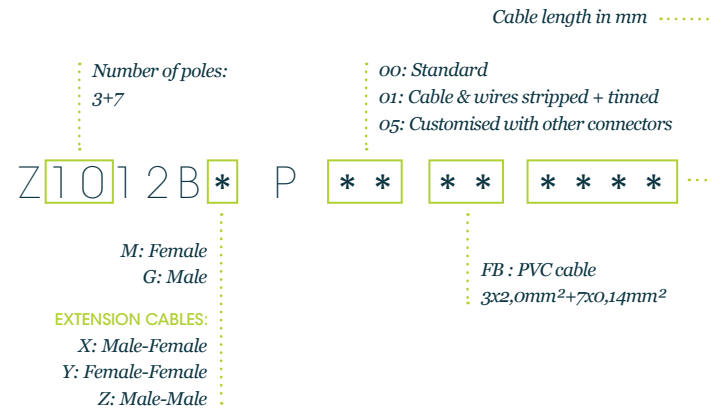


CONNECTOR

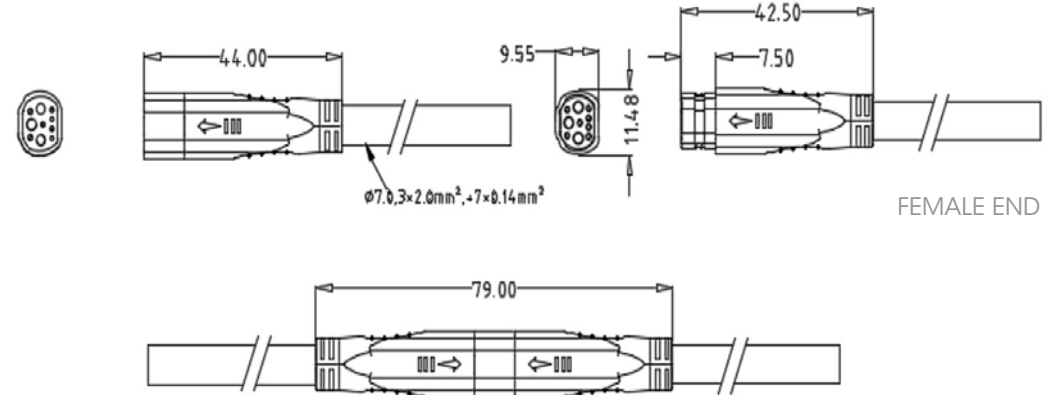
MOTOR CONNECTORS **PUSH-ON**



ARTICLE NUMBER BUILD-UP:



MALE END



CHARACTERISTICS

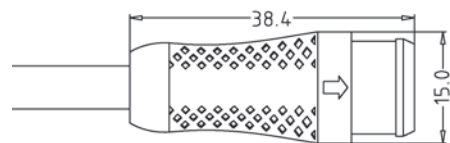
Temperature Range:	-25°C up to +80°C
Rated Voltage:	48V AC / 60V DC
Rated Current:	20A / 2A
Contact Resistance:	≤10mΩ
Insulation Resistance:	≥20MΩ
Protection Level:	IP67
Mating Cycles:	200 times
Outside Diameter:	11,48mm x 9,55mm
Fitting Length:	79,0mm
Wire Specification:	3 x 2,0mm ² + 7 x 0,14mm ² / 3 x 1,5mm ² + 7 x 0,14mm ²



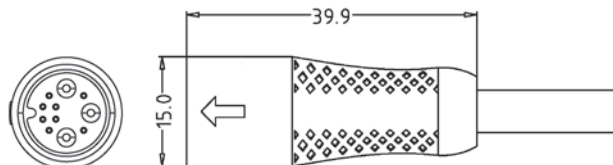
HIGO



MOTOR CONNECTORS **PUSH-ON**



MALE END



FEMALE END



ARTICLE NUMBER BUILD-UP:

Number of poles:
11 (3+8)

00: Standard
01: Cable & wires stripped + tinned
05: Customised with other connectors

Cable length in mm

Z 11 15 A * P * * * * *

M: Female
G: Male

P: Plug

DU: PVC cable
3x2,5mm² + 8x0,14mm²

EXTENSION CABLES:
X: Male-Female
Y: Female-Female
Z: Male-Male

CHARACTERISTICS

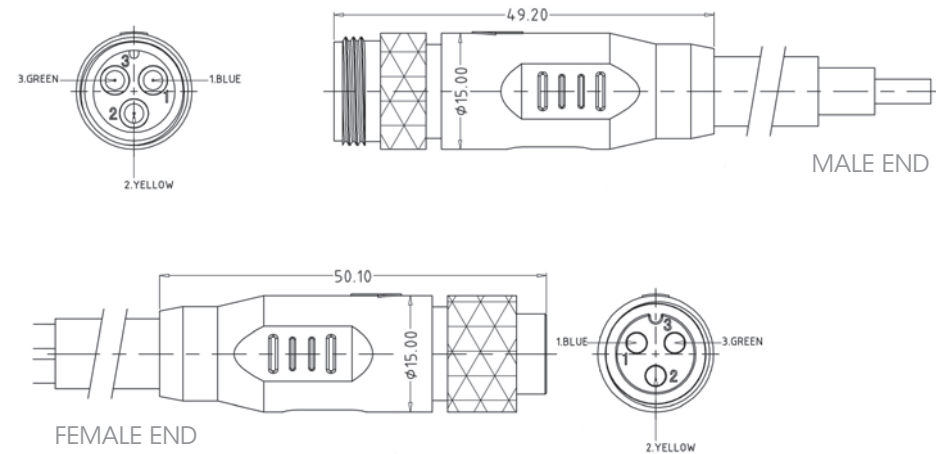
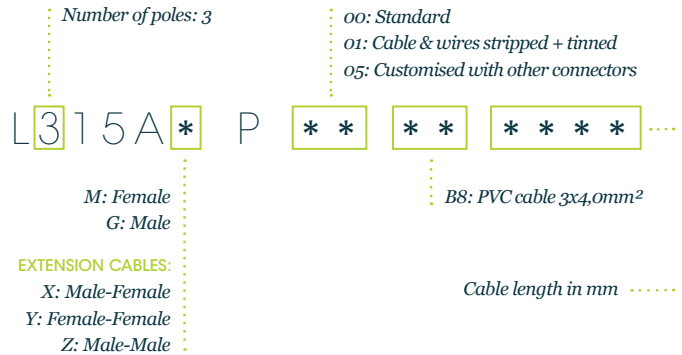
Temperature Range:	-25°C up to +80°C
Rated Voltage:	48V AC / 60V DC
Rated Current:	25A / 2A
Contact Resistance:	≤10mΩ
Insulation Resistance:	≥20MΩ
Protection Level:	IP67
Mating Cycles:	200 times
Outside Diameter:	15,0mm
Fitting Length:	70,0mm
Wire Specification:	3 x 2,5mm ² + 8 x 0,14mm ²

CONNECTOR

MOTOR CONNECTORS SCREW LOCKING



ARTICLE NUMBER BUILD-UP:



CHARACTERISTICS

Temperature Range:	-25°C up to +80°C
Rated Voltage:	48V AC / 60V DC
Rated Current:	35A, 2 power pin loaded 28A, 3 power pin loaded
Contact Resistance:	≤10mΩ
Insulation Resistance:	≥20MΩ
Protection Level:	IP67
Mating Cycles:	200 times
Outside Diameter:	15,0mm
Fitting Length:	90,0mm
Wire Specification:	3 x 4,0mm ²



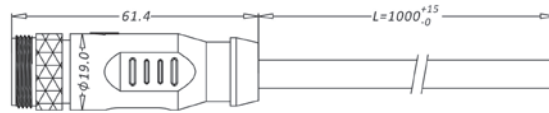
HIGO



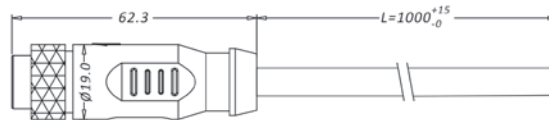
MOTOR CONNECTORS

SCREW LOCKING

MALE PLUG



FEMALE PLUG



ARTICLE NUMBER BUILD-UP:

Number of poles:
10 (3+7)

oo: Standard
01: Cable & wires stripped + tinned
03: With solder cup contacts with wires
05: Customised with other connectors

L1019A* * * * * * * *

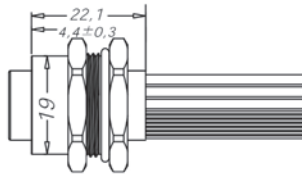
M: Female
G: Male

EXTENSION CABLES:
X: Male-Female
Y: Female-Female
Z: Male-Male

AZ: PVC cable
3x4,0mm² + 7x0,14mm²
DQ: Single wires,
3x4,0mm²+7x0,20mm²

P: Plug
C: Front panel mount
R: Rear panel mount

Cable length in mm



FEMALE REAR PANEL MOUNT



CHARACTERISTICS

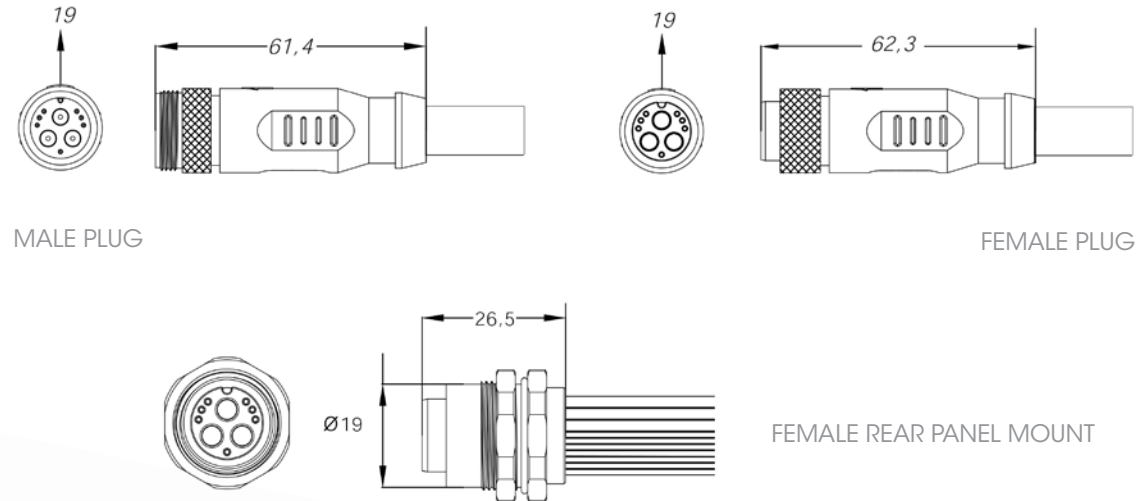
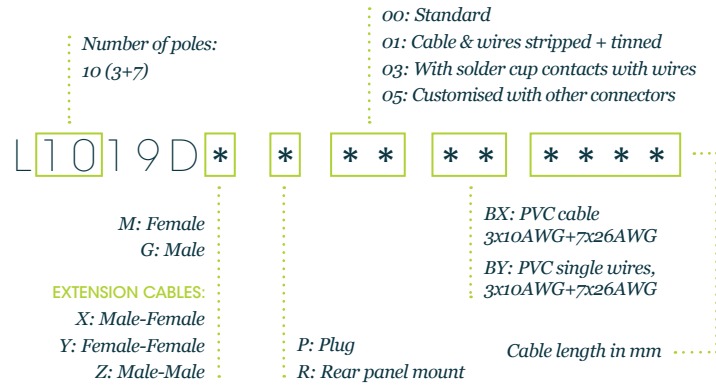
Temperature Range:	-25°C up to +80°C
Rated Voltage:	48V AC / 60V DC
Rated Current:	30A / 2A, 3 power pin loaded
Contact Resistance:	≤10mΩ
Insulation Resistance:	≥20MΩ
Protection Level:	IP67
Mating Cycles:	200 times
Outside Diameter:	19,0mm
Fitting Length:	114,0mm
Wire Specification:	3 x 4,0mm ² + 7 x 0,14mm ²

CONNECTOR

MOTOR CONNECTORS SCREW LOCKING



ARTICLE NUMBER BUILD-UP:



CHARACTERISTICS

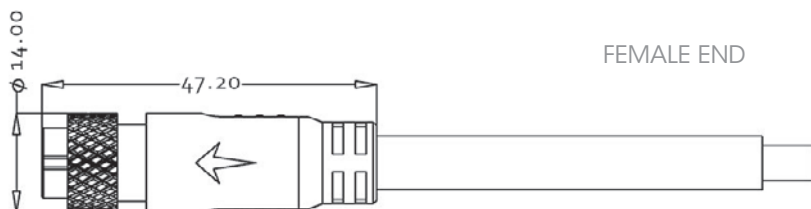
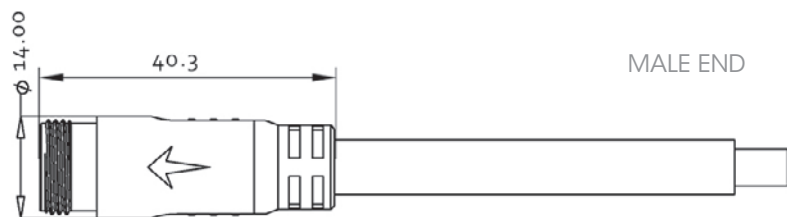
Temperature Range:	-25°C up to +80°C
Rated Voltage:	48V AC / 60V DC
Rated Current:	45A / 2A, 2 power pin loaded 40A / 2A, 3 power pin loaded
Contact Resistance:	≤10mΩ
Insulation Resistance:	≥20MΩ
Protection Level:	IP67
Mating Cycles:	200 times
Outside Diameter:	19,0mm
Fitting Length:	114,0mm
Wire Specification:	3 x 10AWG + 7 x 26AWG



HIGO



MOTOR CONNECTORS SCREW LOCKING



ARTICLE NUMBER BUILD-UP:

Number of poles:
11 (8+3)

oo: Standard
o1: Cable & wires stripped + tinned
o5: Customised with other connectors

L 1 1 1 4 A * P * * * * *

M: Female
G: Male

EXTENSION CABLES:
X: Male-Female
Y: Female-Female
Z: Male-Male

FF: PVC cable
3x2,0mm²+8x0,14mm²

Cable length in mm

CHARACTERISTICS

Temperature Range:	-25°C up to +80°C
Rated Voltage:	48V AC / 60V DC
Rated Current:	20A / 2A
Contact Resistance:	≤10mΩ
Insulation Resistance:	≥20MΩ
Protection Level:	IP67
Mating Cycles:	200 times
Outside Diameter:	14,0mm
Fitting Length:	80,0mm
Wire Specification:	2,0mm ² / 0,14mm ²

CONNECTOR

Discover our complete **connector & power supply range** within our business units



ELECTRONICS & AUTOMATION



ASML



E-MOBILITY

CONNECTORS



POWER SUPPLIES



I'm made of 100% recycled paper

Version: July 2024



Visit our **new website!**

SCAN ME



HIGO TECHNOLOGY (SUZHOU) CO.,LTD
Building 6, 286 Qinglonggang Road
Xiangcheng District, Suzhou 215131, Jiangsu, China



Slachthuisstraat 68, B-2300 Turnhout
+32 (0)14 73 53 70 - higo@ac-solutions.be
www.higoconnector.com | www.ac-solutions.be